

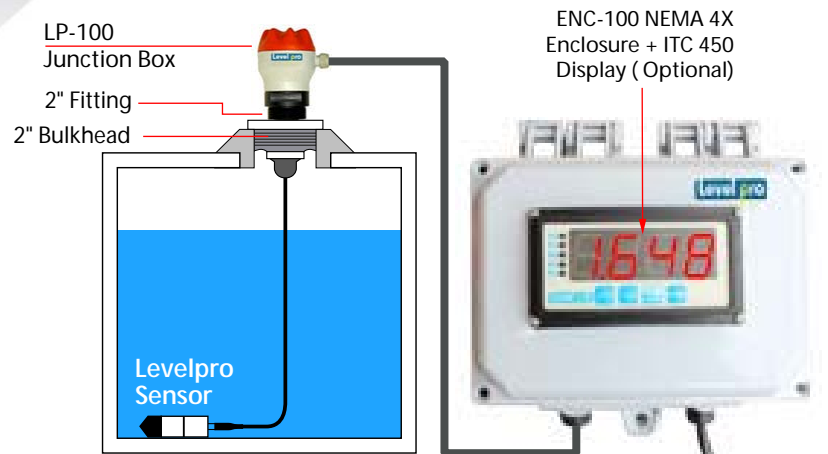
# "Taking Your Pressure To a Higher Level"



**ITC 450**  
**Industrial Level Controller**

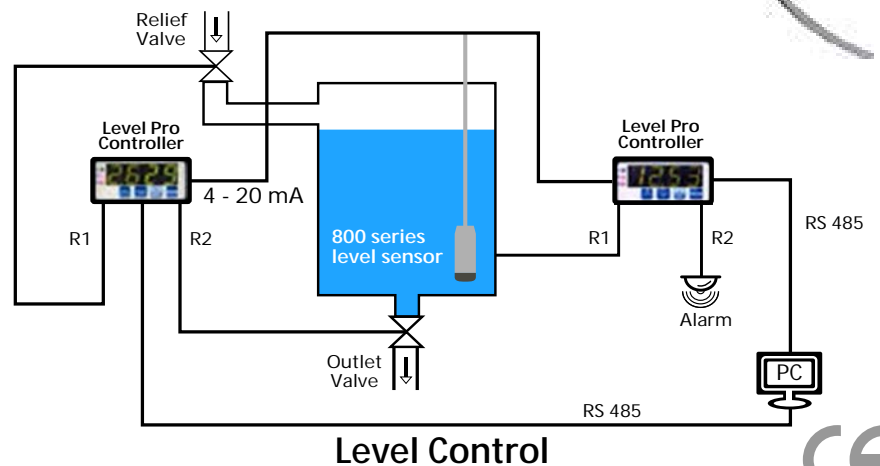
Process Display C/W  
2 Contact Relays and  
Analog Output (4-20 mA) or 4 Relays  
+24 VDC Power Supply to Sensor

## Typical Application



## Features

- ▶ Large Bright LED Display
- ▶ Deceleration of Relay Outputs
- ▶ Adjustable Display Brightness
- ▶ Analogue Output 4 - 20 mA + 2 Relays
- ▶ Acoustic Signal (Beep)
- ▶ Input Signal 4 - 20 mA
- ▶ 4-digit LED Display
- ▶ Sensor Power Supply 24 VDC Output
- ▶ Communication Interface RS-485 (Modbus RTU)
- ▶ 4 Configurable Relays (1 amp)
- ▶ Standard Dimensions for Retro fit Applications



# PROCESS DISPLAY

## Supply

Supply Voltage	Standard: 85 ... 260 VAC
Power Consumption	Max. 4.5 VA or W

## Signal input

Input Signal	Standard 0/4 - 20 mA
--------------	----------------------

## Contacts (optional)

Contact	2 SPST - Relays or 4 SPST Relays.
Switching Voltage	Max. 250 VAC
Switching Current	Max. 1 A (cos $\phi$ 1)

## Analogue output (optional)

Output Signal	Output signal
Permissible Load	Max. 700 $\Omega$

## Transducer supply

DC Output	24 VDC to Sensor
-----------	------------------

## Communication / Performance

Communication interface	RS-485 (Modbus RTU)
Transmission speed	1200 - 115200 bit/sec.

## Permissible Temperatures

Operating temperature	-4 °F -122 °F (-20 -50 °C)
Storage temperature	-4 °F -122 °F (-20 -50 °C)

## Electrical Protection

Electrical safety	CSA
-------------------	-----



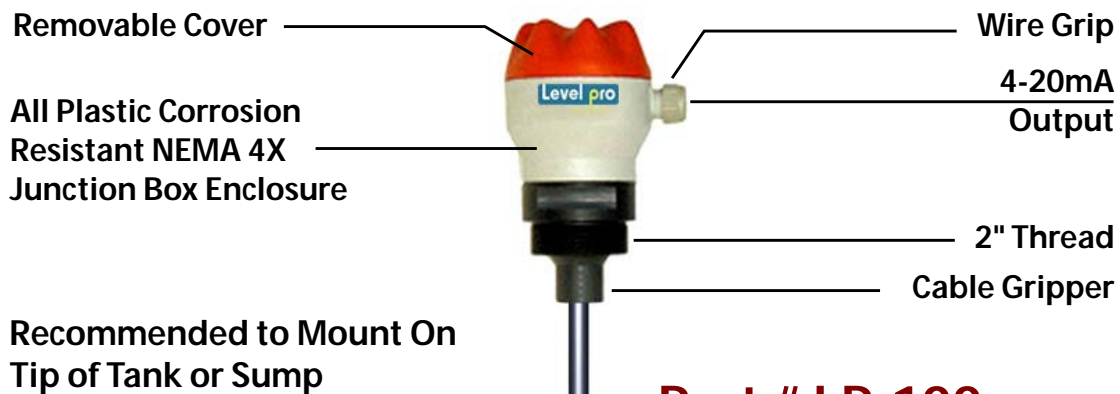
**DC Power Only**

## Miscellaneous

Type of protection	IP 65 (front foil) NEMA 4X
Display	4-digit LED display, red, 4 x 20 mm
Range of indication	- 999 ... 9999 + decimal point
Accuracy (25 °C)	± 0.1 % FSO
Housing dimensions	96x 48 x 98 mm
Housing	Panel
Housing material	NORYL-GFN2S E1

## Ordering Code Series

TVL ITC 450 -		<input type="checkbox"/>	<input type="checkbox"/>	<input type="checkbox"/>	<input type="checkbox"/>	<input type="checkbox"/>	<input type="checkbox"/>
<b>Input type</b>							
0/4 ... 20mA		1	8				
<b>Output</b>							
4 Relay Outputs				41			
4 - 20mA + 2 Relay Output				33			
<b>Supply</b>							
85 ... 260 VAC /VDC					1		
Enclosure ENC - 100							ENC



**Part # LP-100**

