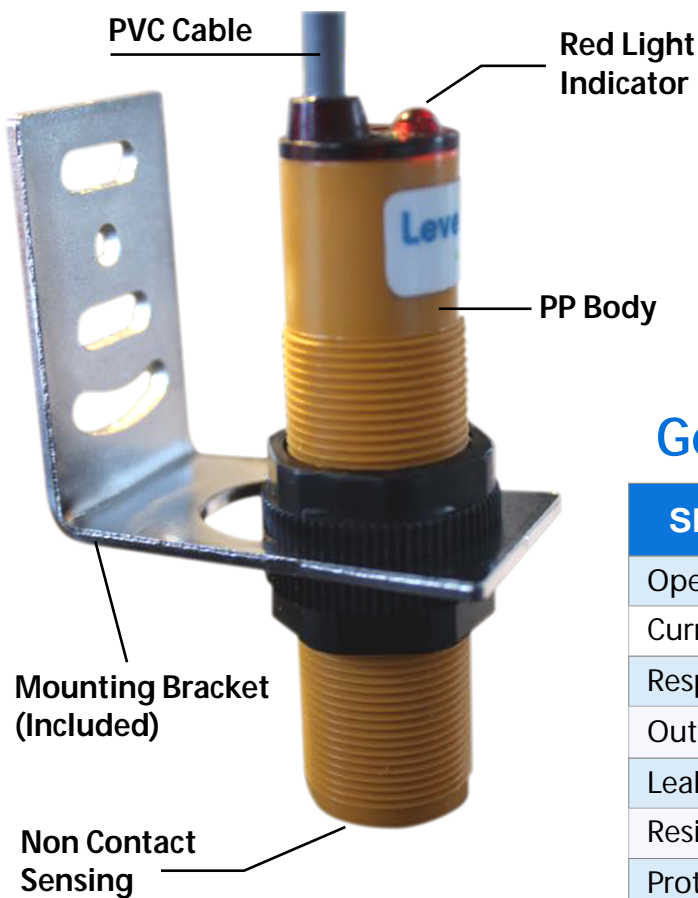


Levelpro Leak Detetion (Non Contact) Sensor

Levelpro LDS-YN Industrial Series is an advanced All Plastic Corrosion Resistant Leak Detection Liquid Level Sensor that utilizes ultra-sensitive electrostatic technology, which constantly and accurately sense the presence of liquids.

These sensors are Ideally suited for monitoring the interstitial area between double wall tanks, tank Retention Dikes, Secondary Containment Sumps, and areas where Process Pumps and Valves are utilized. The LDS-YN sensor has been engineered to withstand even the most extreme conditions while including features designed to optimize performance and reduce maintenance.

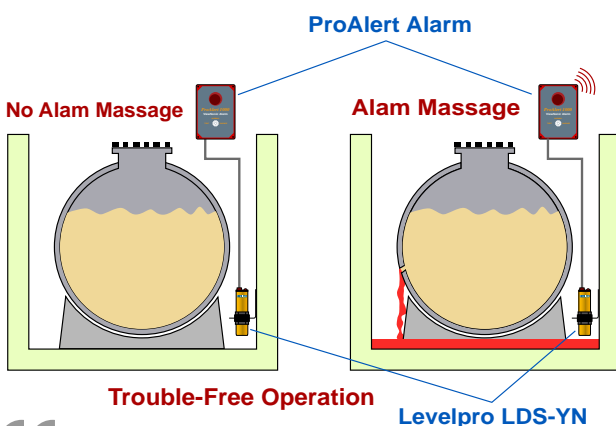


Features

- ▶ Suitable for Corrosive Environments
- ▶ High Stability with Thermal Compensation
- ▶ PP All Plastic Body
- ▶ Non-Contact Technology

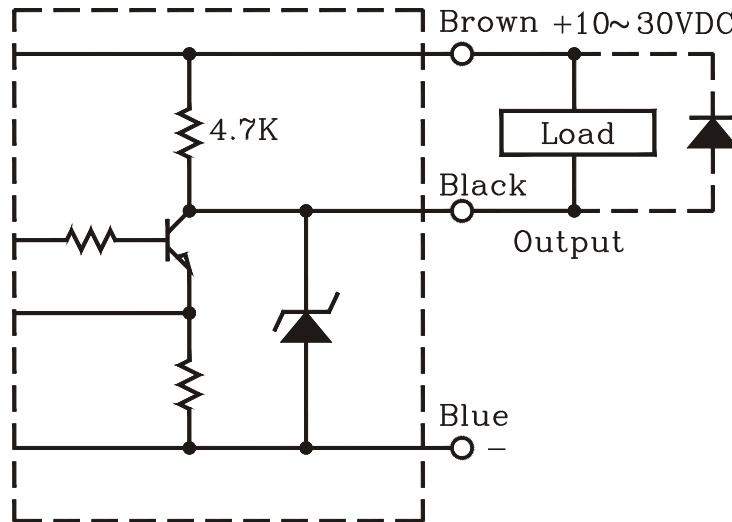
General Data

SPECIFICATION	DESCRIPTION
Operating voltage	10-30 VDC
Current consumption	20 mA max.
Response frequency	100Hz
Output current	150 mA max.
Leakage current	0.8 mA max.
Residual voltage	0.8 V max.
Protection circuit	Short Circuit & Polarity Reversed
Target	Liquid Level
Operating circumstance	-25 C - +80 C : 35% -95%RH
Case/Dimension	General Purpose
Output status	NO / NC
Output method	NPN Relay Output
Sensing distance	20.0 mm
Operating voltage	10-30 VDC
Sensitivity adjuster	14 Turns Trimmer
Housing material	PP



Wiring Diagram

DC Powered NPN Relay Mode



Dimensions

