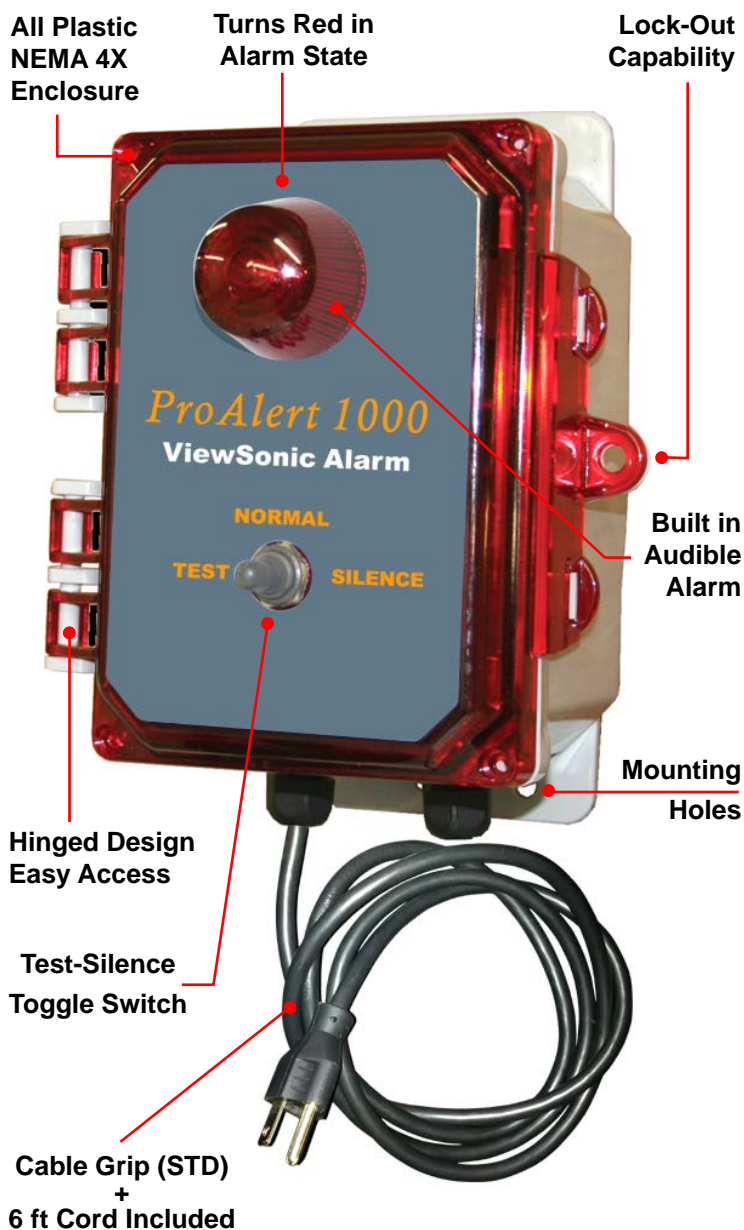


PROALERT 1000

Industrial Visual/Audible Sentry Alarm System



FEATURES

- High Intensity Red Alarm Light
- 90 dB Audible Alarm with External Test-Silence-Normal Positions
- Rugged NEMA 4X Industrial Design Enclosure
- Latching Lockable Cover (No Screws Required) Lockable
- External Mounting Feet Installs in Minutes
- UL Listed Enclosure (CSA)
- High Impact All Plastic Polycarbonate Shell
- Small Foot Print - Compact Design
- Excellent Chemical Resistance
- Includes 6' Power Cord + Seal-Tight Cord Connector

TYPICAL APPLICATIONS

- High/Low Level Sensing for Tanks/Sumps
- Bag/Filter Change out
- Leak Detection
- Flow/No Flow Sensors - Pump Protect
- Upset Condition Notification

SPECIFICATIONS

Dimensions 7" X 5" X 4.5"

Enclosure NEMA 4X

Weight 2.1 lbs.

Voltage/Freq/Amps 120v/60Hz/1 Amp

Input Power 100 v - 240 v



ALARM INSTALLATION

- Decide Mounting location.
- Install the unit using the built-in mounting feet.
- Hook the 120 VAC plug into a 120 VAC receptacle on a separate branch circuit from the one used for the sensor/flow switch to ensure proper notification.
- Connect Switch/Sensor Following Manufacturers Instructions.
- Switch the toggle switch to the "Normal" position. Manually test the alarm by powering the sensor/flow switch until you hear the alarm notification and you see the alarm light turn on.
- Periodically test unit by moving the toggle switch to the "Test" position Recommended prior to filling or draining.
- The audible alarm can be silenced by moving the toggle switch to the "Silence" position. Ensure the toggle switch is typically left in the "Normal" position for proper alarm notification.



	WARNING ELECTRICAL SHOCK HAZARD Disconnect power before installing or servicing this product. A qualified service person must install and service this product according to applicable electrical and plumbing codes.
	WARNING EXPLOSION OR FIRE HAZARD Do not use this product with flammable liquids. Do not install in hazardous locations as defined by CSA, ANSI/NFPA 70.
Failure to follow these precautions could result in serious injury or death. Replace product immediately if switch cable becomes damaged or severed. Keep these instructions with warranty after installation. This product must be installed in accordance with CSA, ANSI/NFPA 70 so as to prevent moisture from entering or accumulating within boxes, conduit bodies, fittings, float housing, or cable.	

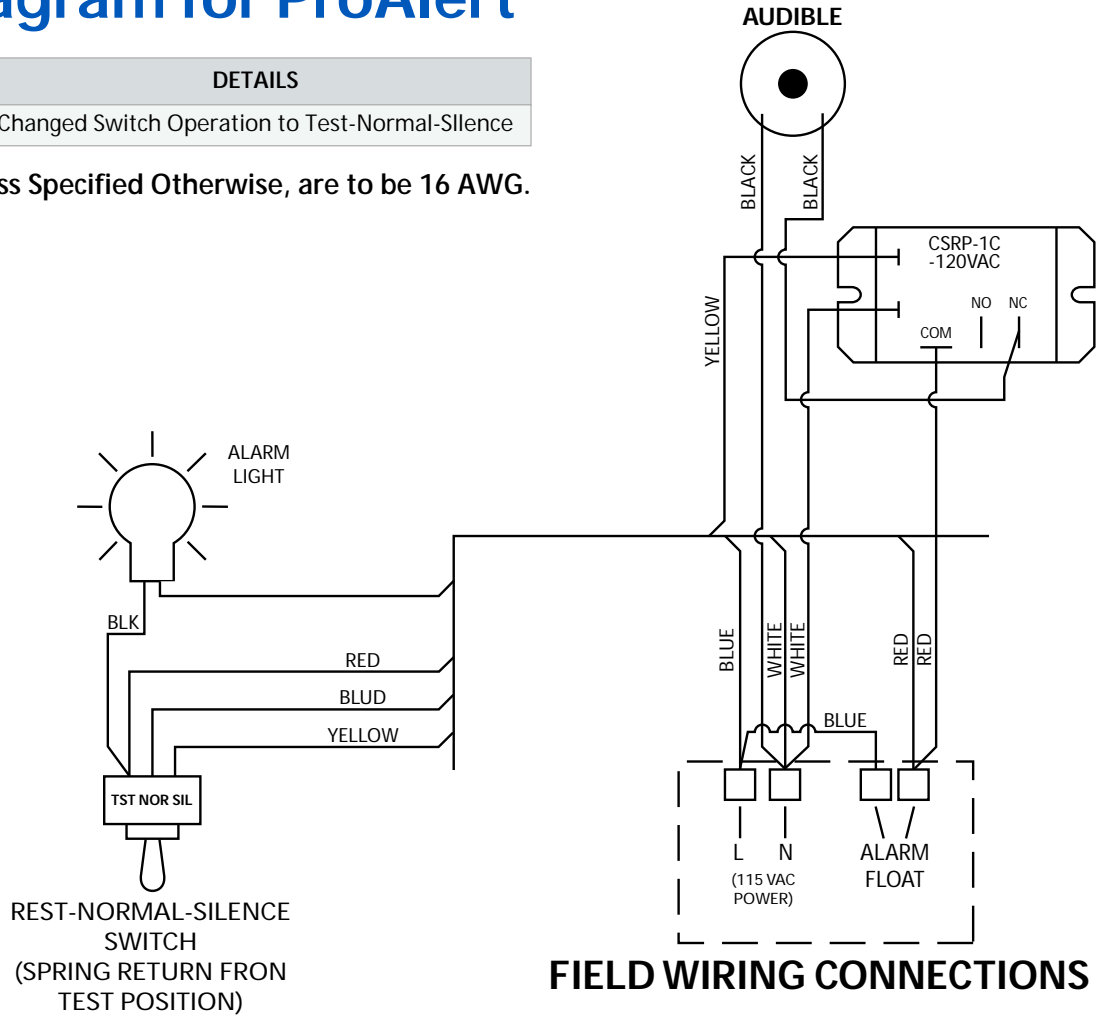
MODELS

- IPCPA-1000-120 ProAlert 120V-Dry Contact Input
- IPCPA-1000-R-T -Pulse Input-Timer Relay Signal

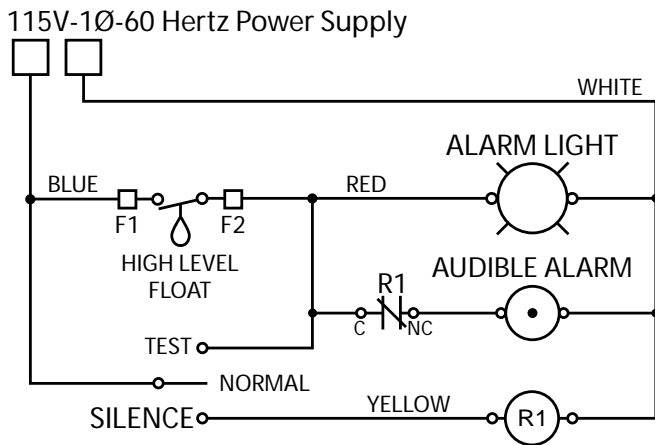
Wiring Diagram for ProAlert

REV.	BY	DATE	DETAILS
1	DWF	1/27/12	Changed Switch Operation to Test-Normal-Silence

Notes : All Wires, Unless Specified Otherwise, are to be 16 AWG.



ELECTRICAL SCHEMATIC



DRWN.	DATE	SCALE	N/A
ARW	2/21/05	DRWG. NO.	

This Drawing is the property of Levelpro may not be reproduced without the expressed written permission of Levelpro

