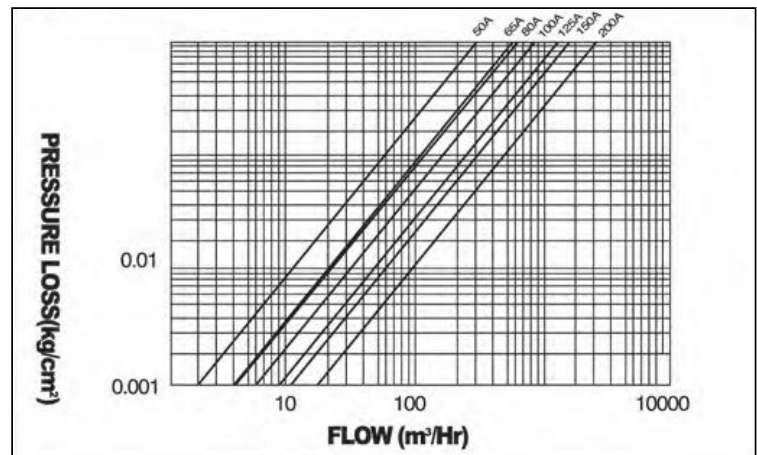
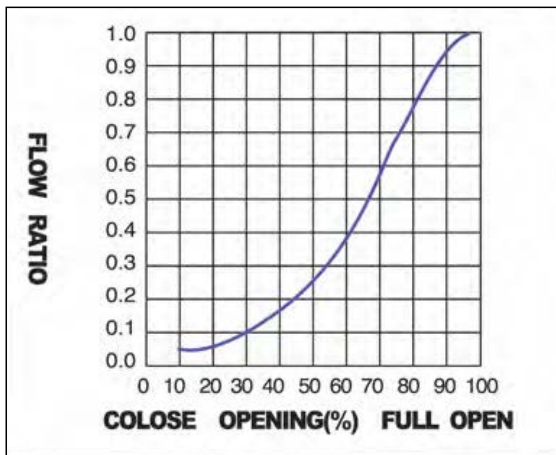


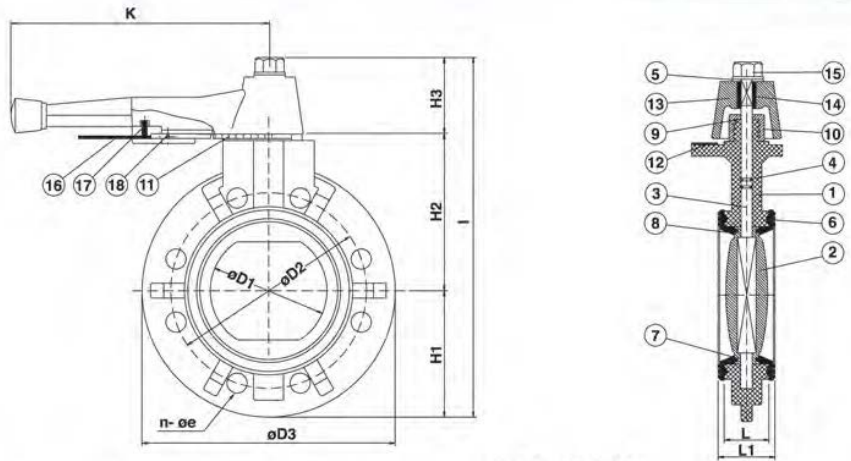
BUTTERFLY VALVE LEVER HANDIE TYPE

BY300 Size 2" - 8", Options : 8" (DN200) Gear Operator Type



MATERIALS OF CONSTRUCTION

No.	Parts	Pcs.	Materials	No.	Parts	Pcs.	Materials
1	Body	1	UPVC,PP,PPG,PVDF,CPVC	10	Reatainer Cap	1	UPVC,PP,PVDF
2	Disc	1	UPVC,PP,PPG,PVDF,CPVC	11	Positioner	1	SUS304
3	Stem	1	SUS410,SUS316,SUS304	12	Screw	3. DN50-200 4. DN200	SUS304
4	Stem O-ring	2	EPDM,VITON	13	Handle	1	ABS
5	Washer	1	SUS304	14	Inserted Metal Of Handle	1	FC0208
6	Seat	1	EPDM,VITON,NBR, HYPALON	15	Nut	1	PVC COATED BRASS,SUS304
7	Disc O'ring(1)	2	EPDM,VITON	16	Handle Lever	1	SUS304
8	Disc O'ring(2)	2	EPDM,VITON	17	Spring	1	SUS304
9	Stem Retainer	1	SUS304	18	Set Pin	1	BSBM



DN50~DN200

TORQUE VALUES (1kgf/m=9.8N.m)

BF-V'S Size	Torque Under Without Any Water Pressure (Kg/m)	Under Water Testing Pressure(Kg/cm ²)			BF-V'S Size	Torque Under Without Any Water Pressure (Kg/m)	Under Water Testing Pressure(Kg/cm ²)		
		Water Pressure(Kg/cm ²)	Open Torque(Kg/m)	Close Torque(Kg/m)			Water Pressure(Kg/cm ²)	Open Torque(Kg/m)	Close Torque(Kg/m)
2"	1.5	15	0.5	0.5	10"	17.0	8	7	10
2-1/2"	1.5	15	0.5	0.5	12"	27.0	6	14	18
3"	2.0	15	1	1.5	14"	37.0	6	25	28
4"	2.0	12	1	1.5	16"	42.0	-	-	-
5"	5.0	12	2.5	4.5	18"	52.0	-	-	-
6"	6.5	12	4	7	20"	65.0	-	-	-
8"	10.0	10	6	8.5	24"	76.0	-	-	-

DIMENSIONS TABLE

JIS														Unit: mm	
Nom. Size DN(inch)	D1	D2	D3	øe	n	L	L1	H1	H2	H3	I	K	Test Press (kgf/cm ²)		Working Press (kgf/cm ²)
													Body	Seat	
50(2")	57	120	160	19	4	35	42	83	102	68	253	220	15.0	12.0	10.0
65(2 1/2")	72	140	184	19	4	37	46	92	110	68	270	220	15.0	12.0	10.0
80(3")	80	150	200	19	8	37	46	100	118	68	286	220	15.0	12.0	10.0
100(4")	100	175	230	19	8	47	56	115	134	68	312	220	15.0	12.0	10.0
125(5")	130	210	250	23	8	57	66	127	160	96	391	310	15.0	12.0	10.0
150(6")	150	240	290	23	8	62	71	145	177	96	418	310	15.0	12.0	10.0
200(8")	203	290	337	23	12	76	87	168	204	93	476	414	15.0	12.0	10.0

ANSI														Unit: Inch	
Nom. Size DN(inch)	D1	D2	D3	øe	n	L	L1	H1	H2	H3	I	K	Test Press (kgf/cm ²)		Working Press (lb/in ²)
													Body	Seat	
50(2")	2.24	4.75	6.29	0.75	4	1.38	1.65	3.27	4.01	2.68	9.96	8.66	222	177	150
65(2 1/2")	2.83	5.50	7.24	0.75	4	1.46	1.81	3.62	4.33	2.68	10.63	8.66	222	177	150
80(3")	3.15	6.00	7.87	0.75	4	1.46	1.81	3.94	4.64	2.68	11.26	8.66	222	177	150
100(4")	3.93	7.50	9.06	0.75	8	1.85	2.20	4.53	5.28	2.68	124.8	8.66	222	177	150
125(5")	5.12	8.50	9.84	0.87	8	2.24	2.60	5.00	6.30	3.78	15	12.20	222	177	150
150(6")	5.90	9.50	11.42	0.87	8	2.44	2.80	5.71	6.97	3.78	16.76	12.20	222	177	150
200(8")	7.99	11.75	13.27	0.87	8	2.99	3.43	6.61	8.03	3.66	18.74	16.30	222	177	150

DIN														Unit: mm	
Nom. Size DN(inch)	D1	D2	D3	øe	n	L	L1	H1	H2	H3	I	K	Test Press (kgf/cm ²)		Working Press (kgf/cm ²)
													Body	Seat	
50(2")	57	125	160	18	4	35	42	83	102	68	253	220	15.0	12.0	10.0
65(2 1/2")	72	145	184	18	4	37	46	92	110	68	270	220	15.0	12.0	10.0
80(3")	80	160	200	18	8	37	46	100	118	68	286	220	15.0	12.0	10.0
100(4")	100	180	230	18	8	47	56	115	134	68	312	220	15.0	12.0	10.0
125(5")	130	210	250	18	8	57	66	127	160	96	391	310	15.0	12.0	10.0
150(6")	150	240	290	23	8	62	71	145	177	96	418	310	15.0	12.0	10.0
200(8")	203	295	337	23	8	76	87	168	204	93	476	414	15.0	12.0	10.0