

TRUE UNION (DOUBLE UNION) BALL VALVE

CD100 SOCKET/ CD200 THREAD/ CD300 FLANGE Size: 1/2" - 4"

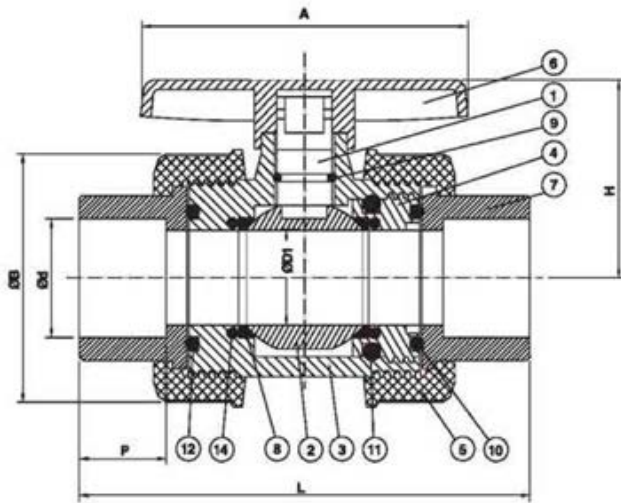


MATERIALS OF CONSTRUCTION

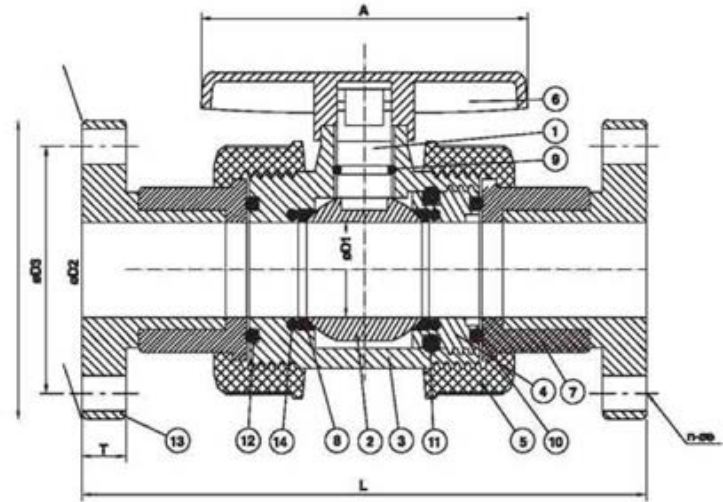
Item	Parts	Pcs	Materials	Item	Parts	Pcs	Materials
1	STEM	1	UPVC,PP,CPVC,PVDF	8	SEAT	2	PTFE
2	BALL	1	UPVC,PP,CPVC,PVDF	9	STEM O-RING	(1)..DN15-50 (2)..DN65-100	EPDM,VITON
3	BODY	1	UPVC,PP,CPVC,PVDF	10	SEAT CARRIER O-RING	1	EPDM,VITON
4	SEAT CARRIER	1	UPVC,PP,CPVC,PVDF	11	BODY O-RING	1	EPDM,VITON
5	UNION NUT	2	UPVC,PP,CPVC,PVDF	12	SOLID END O-RING	1	EPDM,VITON
6	HANDLE	1	ABS	13	FLANGE	2	UPVC,PP,CPVC,PVDF
7	END CONNECTOR	2	UPVC,PP,CPVC,PVDF				

DIMENSIONS TABLE

Nom Size DN-Inch	JIS											Unit:mm				
	D1	D2	D3	d		øe	n	P	L			A	T	H	B	Test Press kg/cm ²
				Socket	Thread				Socket	Thread	Flange					
15(1/2")	15	70	95	22	PT1/2	15	4	22.2	113	113	151	82	15	51	47	15
20(3/4")	20	75	100	26	PT3/4	15	4	25.4	131	131	171	101	15	64	61	15
25(1")	25	90	125	32	PT1	19	4	28.6	146	146	190	110	17	70	70	15
32(1-1/4")	38	100	135	38	PT1-1/4	19	4	31.8	186	186	232	126	17	83	93	15
40(1-1/2")	38	105	140	48	PT1-1/2	19	4	34.9	186	186	232	126	17	83	93	15
50(2")	48	120	155	60	PT2	19	4	38.1	197	197	250	152	20	102	113	15
65(2-1/2")	65	140	175	76	PT2-1/2	19	4	44.5	228	228	282	190	20	140	150	10
80(3")	78	150	185	89	PT3	19	8	47.6	270	270	330	230	23	165	184	10
100(4")	102	175	210	114	PT4	19	8	57.2	324	324	385	274	23	172	226	10



SOCKET & THREAD TYPE



FLANGE TYPE

DIMENSIONS TABLE

ANSI															Unit:Inch	
Nom Size DN-inch	D1	D2	D3	d		øe	n	P	L			A	T	H	B	Test Press lb/in ²
				Socket	Thread				Socket	Thread	Flange					
15(1/2")	0.591	2.375	3.500	0.848	NPT1/2	0.625	4	0.875	4.448	4.448	5.944	3.228	0.590	2.007	1.850	222
20(3/4")	0.78	2.750	3.875	1.058	NPT3/4	0.625	4	1.000	5.157	5.157	6.732	3.976	0.590	2.250	2.402	222
25(1")	0.984	3.125	4.250	1.325	NPT1	0.625	4	1.125	5.748	5.748	7.480	4.370	0.669	2.755	2.755	222
32(1-1/4")	1.496	3.500	4.625	1.670	NPT1-1/4	0.625	4	1.250	7.320	7.320	9.133	4.961	0.669	3.268	3.661	222
40(1-1/2")	1.496	3.875	5.000	1.912	NPT1-1/2	0.625	4	1.375	7.320	7.320	9.133	4.961	0.700	3.268	3.661	222
50(2")	1.89	4.750	6.000	2.387	NPT2	0.750	4	1.500	7.756	7.756	9.842	5.984	0.820	4.016	4.449	222
65(2-1/2")	2.56	5.500	7.000	2.889	NPT2-1/2	0.750	4	1.750	8.976	8.976	11.102	7.480	0.787	5.512	5.905	148
80(3")	3.071	6.000	7.500	3.515	NPT3	0.750	4	1.875	10.629	10.629	12.992	9.055	0.905	6.496	7.244	148
100(4")	4.01	7.500	9.000	4.518	NPT4	0.750	8	2.250	12.755	12.755	15.157	10.787	0.905	6.772	10.31	148

DIN															Unit:mm	
Nom Size DN-inch	D1	D2	D3	d		øe	n	P	L			A	T	H	B	Test Press kgf/cm ²
				Socket	Thread				Socket	Thread	Flange					
15(1/2")	15	65	95	20	R1/2	14	4	16.0	113	113	151	82	15	51	47	15
20(3/4")	20	75	105	25	R3/4	14	4	18.5	121	131	171	101	15	64	61	15
25(1")	25	85	115	32	R1	14	4	22.0	146	146	190	110	17	70	70	15
32(1-1/4")	38	100	140	40	R1-1/4	18	4	26.0	186	186	232	126	17	83	93	15
40(1-1/2")	38	110	150	50	R1-1/2	18	4	31.0	186	186	232	126	17	83	93	15
50(2")	48	125	165	63	RT2	18	4	37.5	197	197	250	152	20	102	113	15
65(2-1/2")	65	145	185	75	R2-1/2	18	4	43.5	228	228	282	190	20	140	150	10
80(3")	78	160	200	90	R3	18	8	51.0	270	270	330	230	23	165	184	10
100(4")	102	180	220	110	R4	18	8	61.0	324	324	385	274	23	172	226	10