

# Truflo FES Series **Flow-No Flow** All Plastic Flow Switch

The FES Series Flow Switch is designed to detect liquid **Flow or No Flow**. It is an Excellent choice for corrosive liquid services, water treatment, waste treatment, liquid pumping and process control systems. **Perfect for Pump Run-Dry Notification**



## Features

- All Plastic Construction
- In-Line Design - Insertion Style
- Nema 4X Enclosure
- Corrosion Resistant PP Body + Paddle
- ½" - 12" Pipe - Tee or Saddle
- Heavy Duty Rugged Design
- Low Pressure Drop
- Easy to Install
- Can be Easily Changed from Normally Open to Normally Closed

## General Data

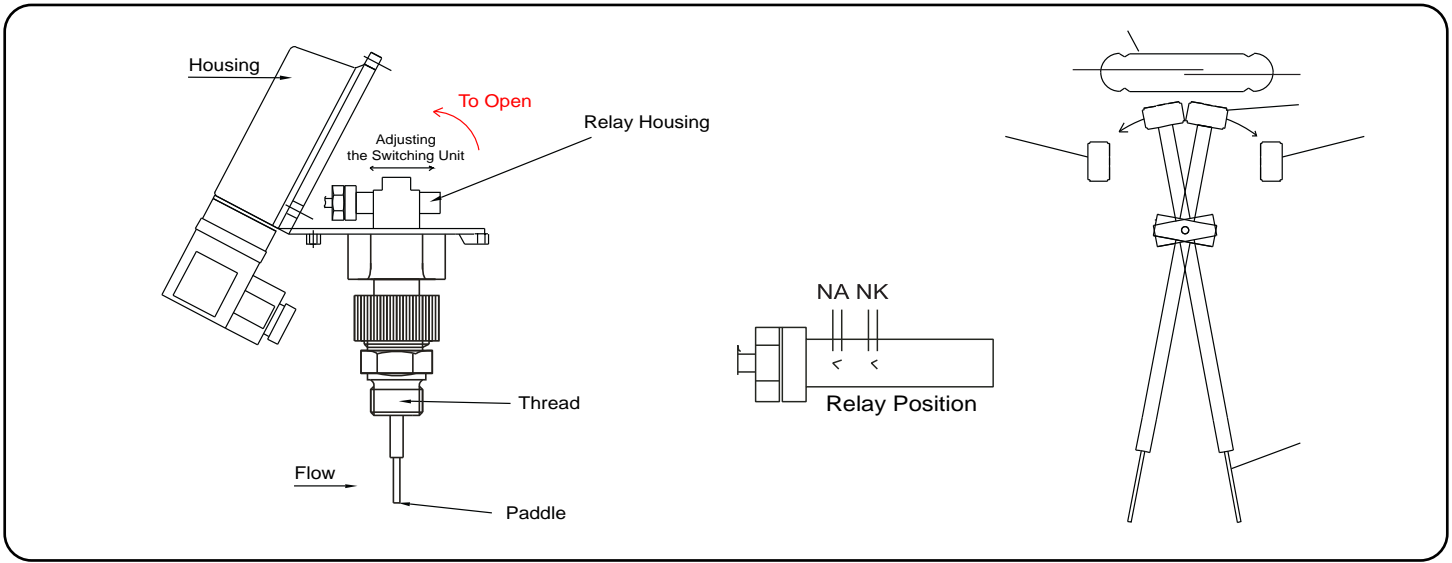
SPECIFICATION	DESCRIPTION
Body + Thread Paddle Assembly	PP
Installation Fitting	PP or PVC
O-Ring	Viton
Max. Working Pressure	150 PSI 10 bar
Max. Working Temperature	PP 80° C (60° C for PVC)
Max. Contact Current	1.5A
Max. Power Supply	200 VDC, 250 VAC
Max. Power	50W
Contact	NO or NC Adjustable
Electrical Connections	DIN 43650A (ISO 4400) socket Opt.Cable Output, Socket with LED
Protection Class	IP65, IP 68 Nema 4X

The FES Series Plastic Flow Switch is designed to detect Liquid Flow or No Flow.

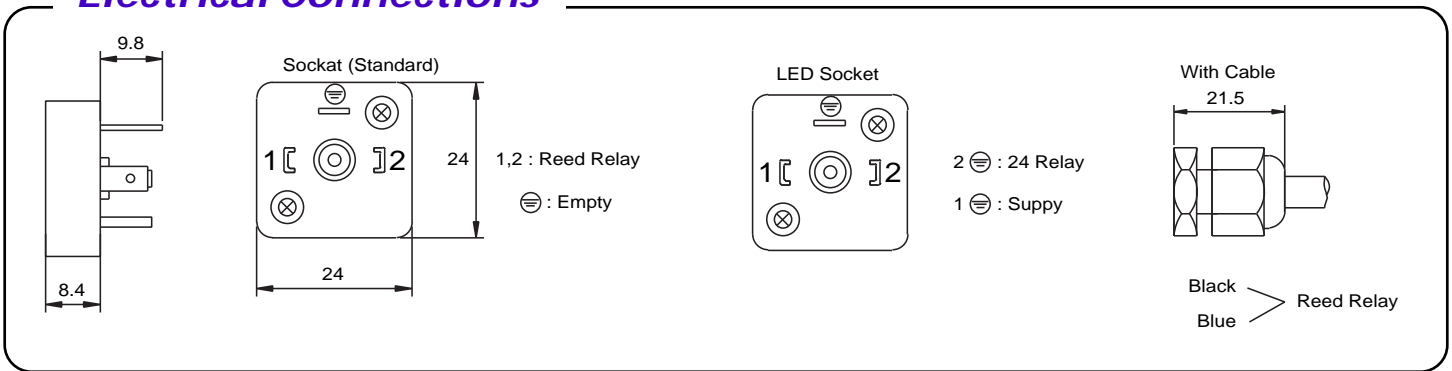
The Truflo FES switches encompasses a SPST contact that can be wired to energize a device when liquid flow either exceeds or drops below the set flow rate.

The FES Flow Switch is an excellent choice for corrosive liquid services, water treatment, waste treatment, liquid pumping and process control systems.

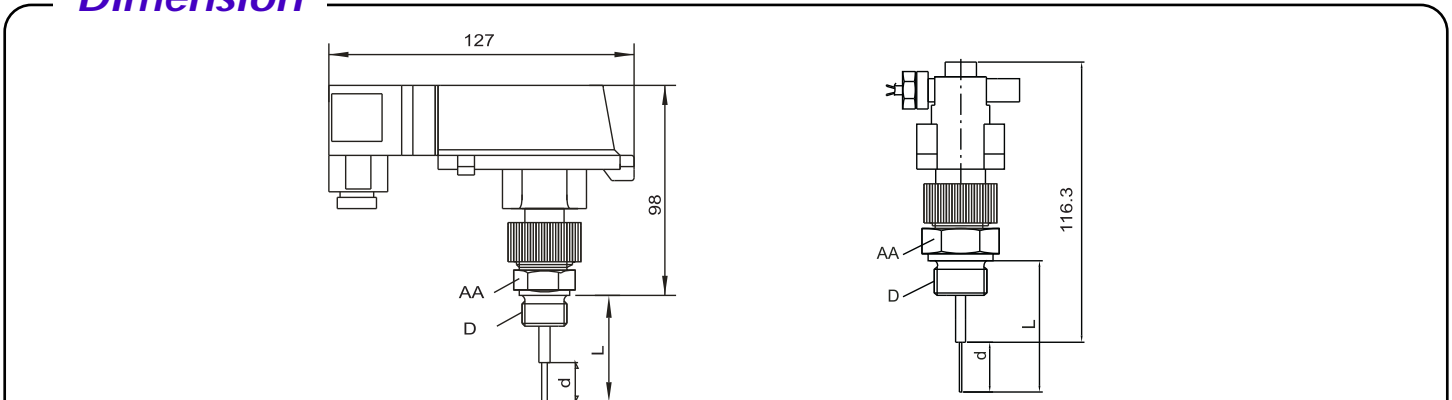
The FES flow switch can control devices such as pumps, motorized valves and alarm devices.



## Electrical Connections



## Dimension



Model	Pipe Size	Connection Size D	Max. Flow m <sup>3</sup> /h, Water	Rising Flow Rate L/min, Water	Falling Flow Rate L/min, Water	AA1-AA (MM)	L (MM)	D (MM)
FES 05p FES 05px	DN 50 (2")	½" NPT	20	1 / 2	0.9 / 1.9	27	52	12 X 20
	DN 80 (3")	½" NPT	30	3 / 6	2.9 / 5.5	27	52	12 X 20
	DN 100 (4")	½" NPT	40	4,8 / 8	4.6 / 7.5	27	52	12 X 20
FES 06p FES 06px	DN 100 (4")	½" NPT	70	4,5 / 5,5	4 / 5	27	112	12 X 80
	DN 150 (6")	½" NPT	110	8 / 11	7.8 / 10	27	112	12 X 80
	DN 200 (8")	½" NPT	120	18 / 24,2	17.5 / 24	27	112	12 X 80