



Battery Operated LCD Pressure Gauge & Isolator One Piece Plastic Design

Industry's First All Plastic LCD Battery Operated Digital Combo Gauge + Isolator
'Plug & Play'



Features

- All Plastic (Gauge + Isolator)
- No Filling Required
- Heavy Duty Design; Simple to Install
- Completely Corrosion Resistant
- Designed to Act as Visual Pressure Alert for Bag/Filter Change-Out
- Extra Large LCD Display
- Reduces Small Pressure Surges caused by Water Hammer or Metering Pump Pulsations
- Highest Accuracy in Industry $\pm 1\%$
- One-Piece Molded Design (No Assembly)
- Suitable for Corrosive Media + Slurries
- No Programming Required
- PTFE Diaphragm - Standard
- Replaceable Lithium Battery
- Long Life (3 Years)

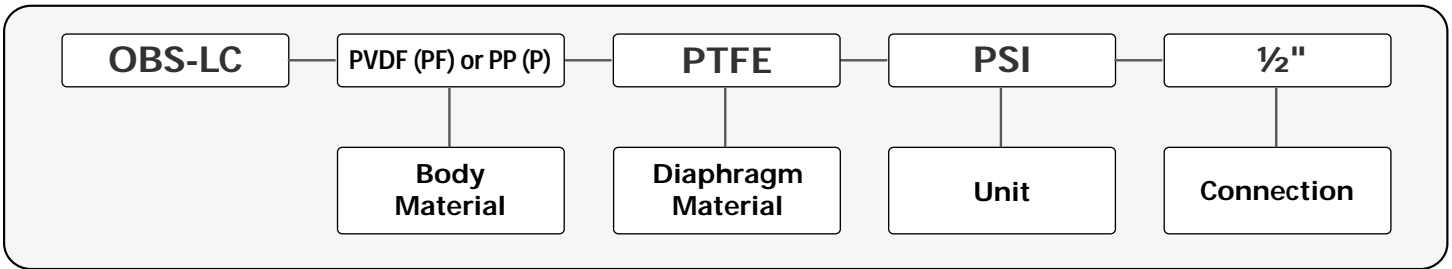
General Data

SPECIFICATION	DESCRIPTION
Dial Diameter	Large 2½" (Big Numbers)
Mounting	Direct Mount, Bottom Connection FNPT ½"
Housing	PVDF or Polypro - PTFE Diaphragm - One Piece Molded Design (No Assembly)
Lens	Polycarbonate
Dial	LCD
Connection	1/2" FNPT
Accuracy	$\pm 1.0\%$
Operating temperature	Max. Working Temp. PVDF-195 F, PP-170°F
Pressure Range	0-290 PSI (Ambient Temp)

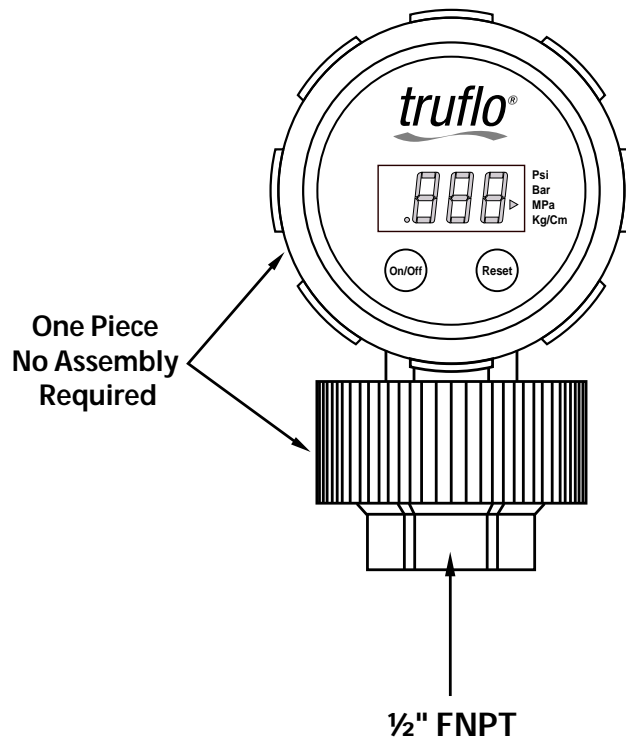
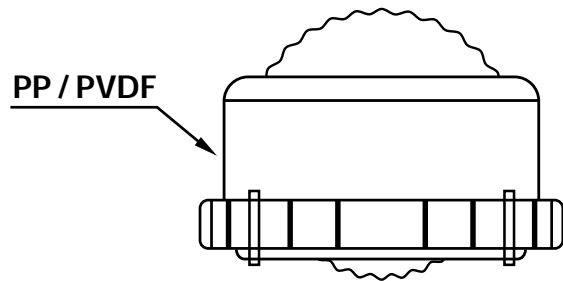
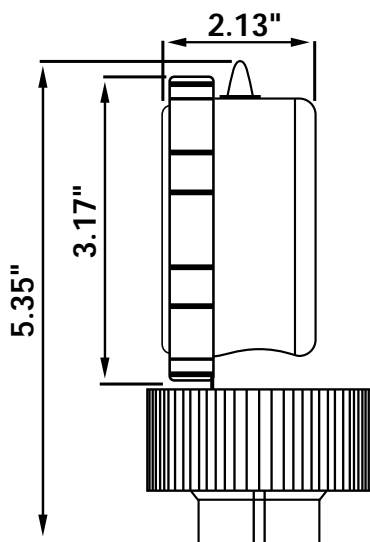
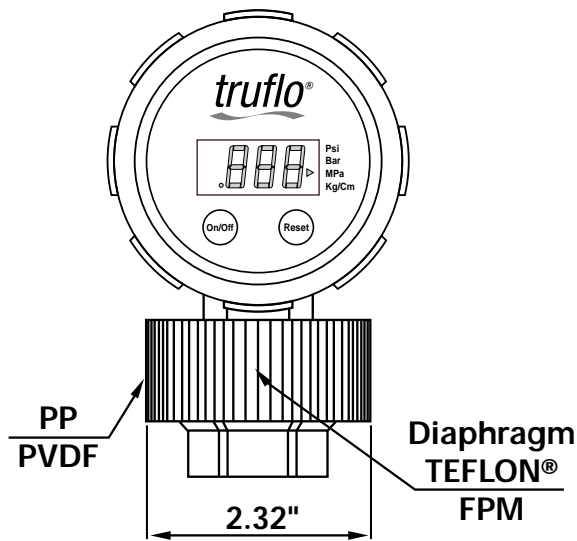




HOW TO ORDER



OBS Series





OBS Series NPT (Male)

