



All Plastic LED Digital Pressure Gauge & Isolator

Highest Accuracy $\pm 1\%$ + 4-20mA + 2 Relay Outputs

Industry's First LED Digital All Plastic Combo Gauge + Isolator 'Plug & Play'



Features

- All Plastic (Gauge + Isolator)
- No Filling Required
- Heavy Duty Design; Simple to Install
- Completely Corrosion Resistant
- Designed to Act as Visual Pressure Alert for Bag/Filter Change-Out
- Extra Large LED Display
- Reduces Small Pressure Surges caused by Water Hammer or Metering Pump Pulsations
- Highest Accuracy in Industry 1%
- One-Piece Molded Design (No Assembly)
- Suitable for Corrosive Media + Slurries
- No Programming Required
- PTFE Diaphragm - Standard PP and PVDF
- 15 FT of Cable Standard

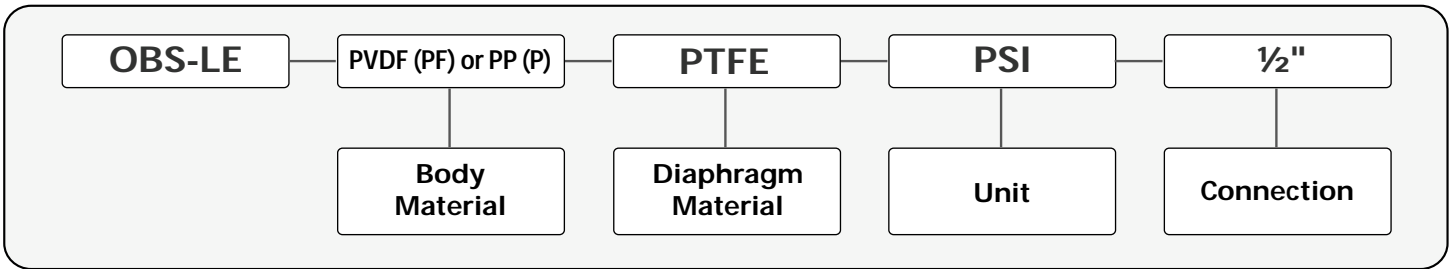
General Data

SPECIFICATION	DESCRIPTION
Dial Diameter	Large 2½" (Big Numbers)
Mounting	Direct Mount, Bottom Connection FNPT ½"
Housing	NEMA 4X PVDF or Polypro - PTFE Diaphragm - One Piece Molded Design (No Assembly)
Lens	Polycarbonate
Dial	Dial LED
Connection	1/2" FNPT
Accuracy	$\pm 1.0\%$
Operating temperature	Max. Working Temp. PVDF-195 F, PP-170°F
Pressure Range	0-290 PSI (Ambient Temp)
Output	4-20mA + 2 (NPN or PNP) Relay Outputs
Power Supply	10-30V DC

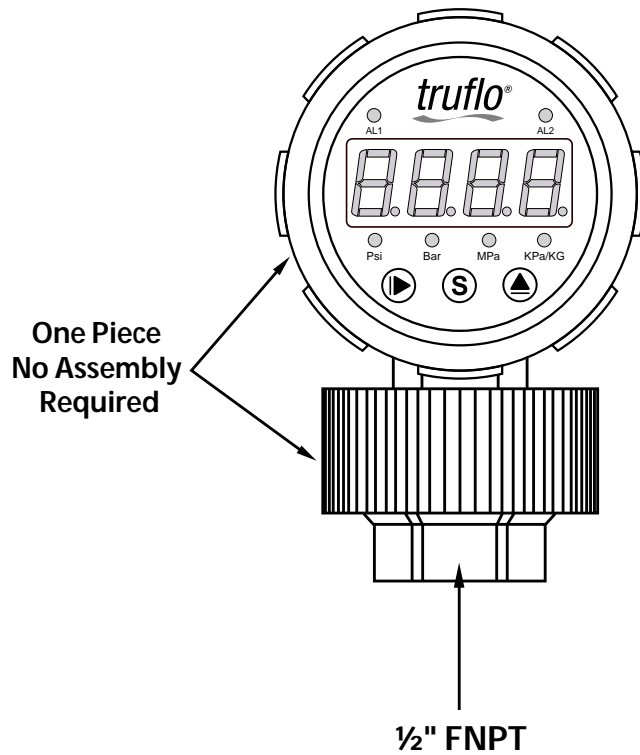
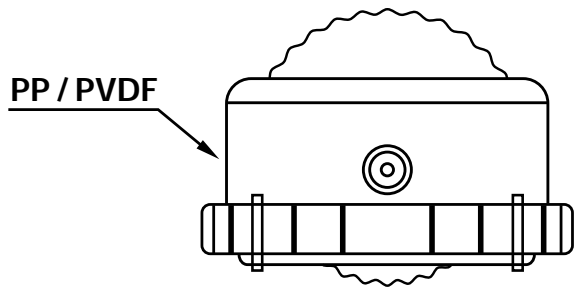
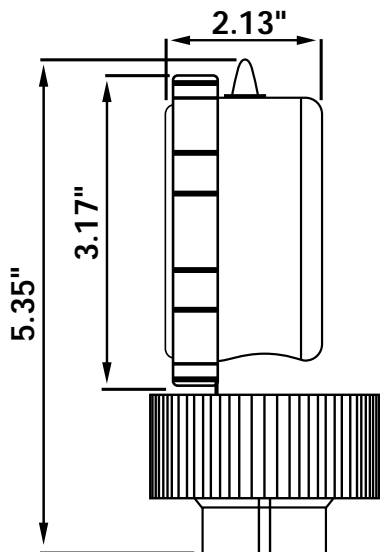
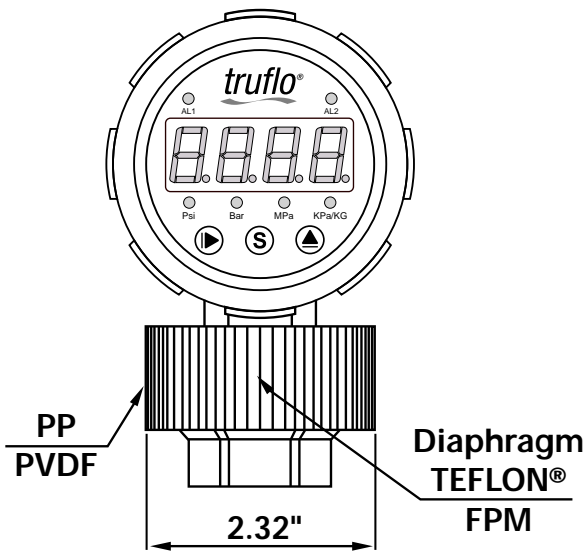




HOW TO ORDER

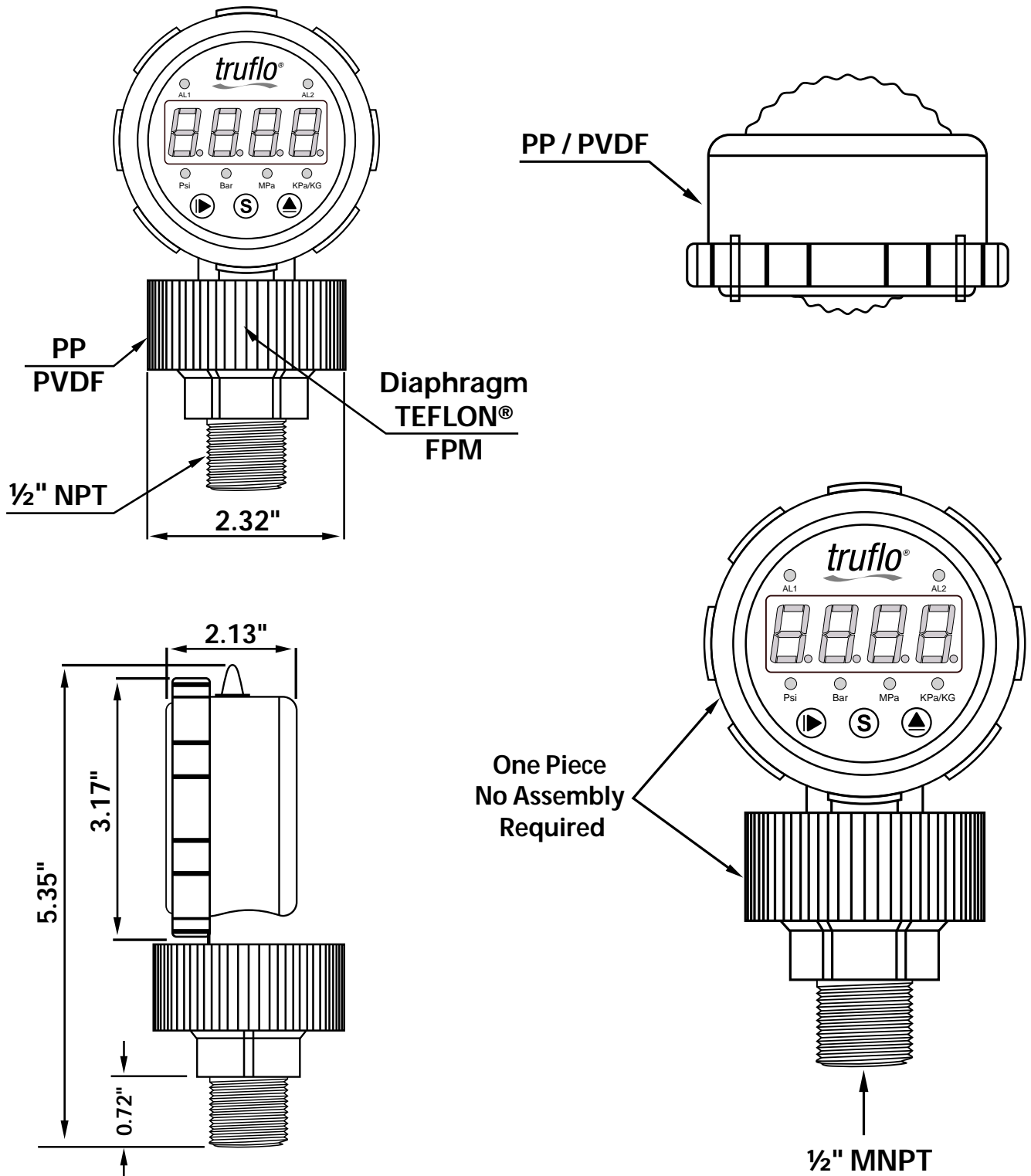


OBS Series





OBS Series NPT (Male)



Hysteresis Mode

Hysteresis Mode (NO Type)

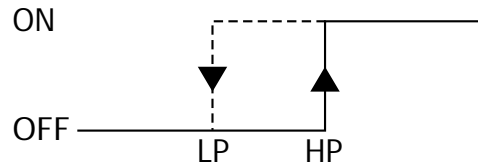


Fig - 1

Hysteresis Mode (NC Type)

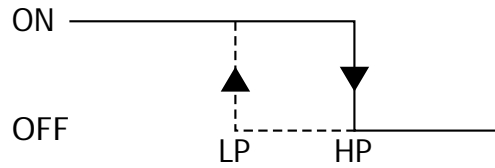
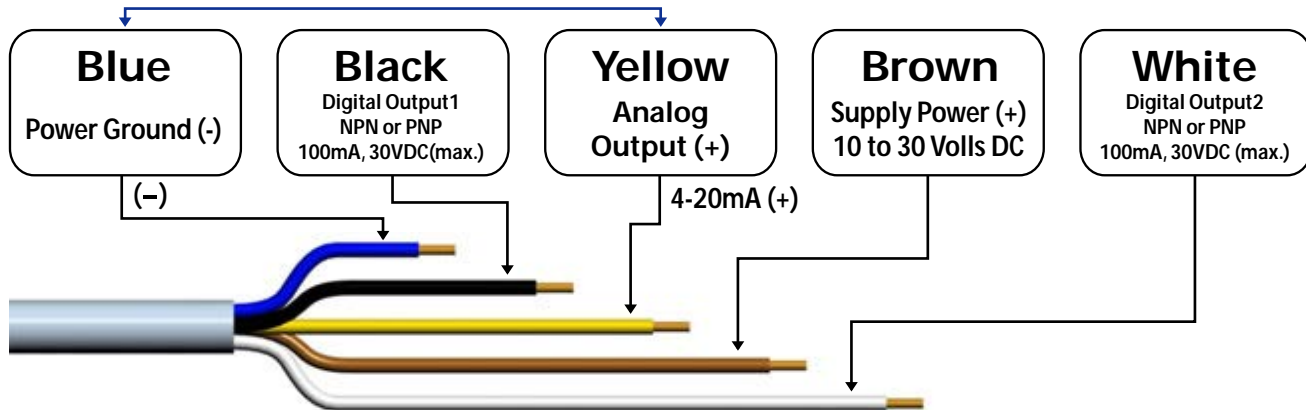


Fig - 2

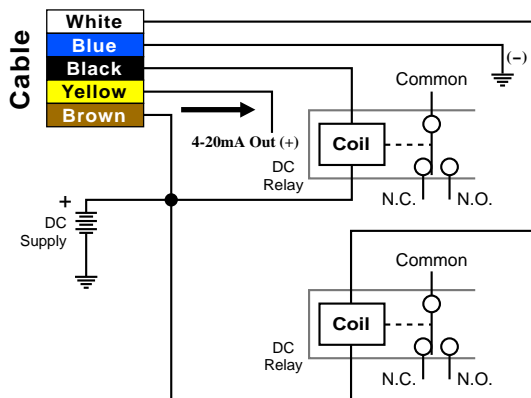
Wiring Definition



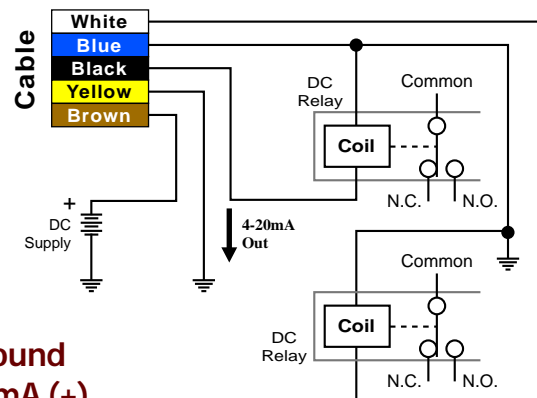
Analog Output (4-20mA) Blue must be connected with Power Ground Yellow. (Blue + Yellow).

Wiring Diagram

1. NPN Mode



2. PNP Mode



Blue (-) Ground
Yellow 4-20 mA (+)