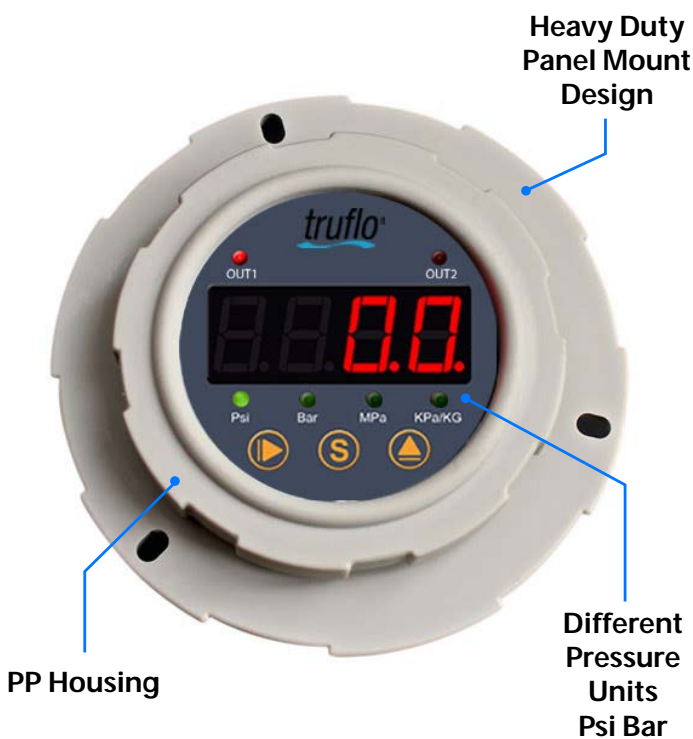




# All Plastic Digital Panel Mount Pressure Gauge & Isolator

## High Accuracy $\pm 1.5\%$

Industry's First LED Digital All Plastic Combo Gauge + Isolator 'Plug & Play'

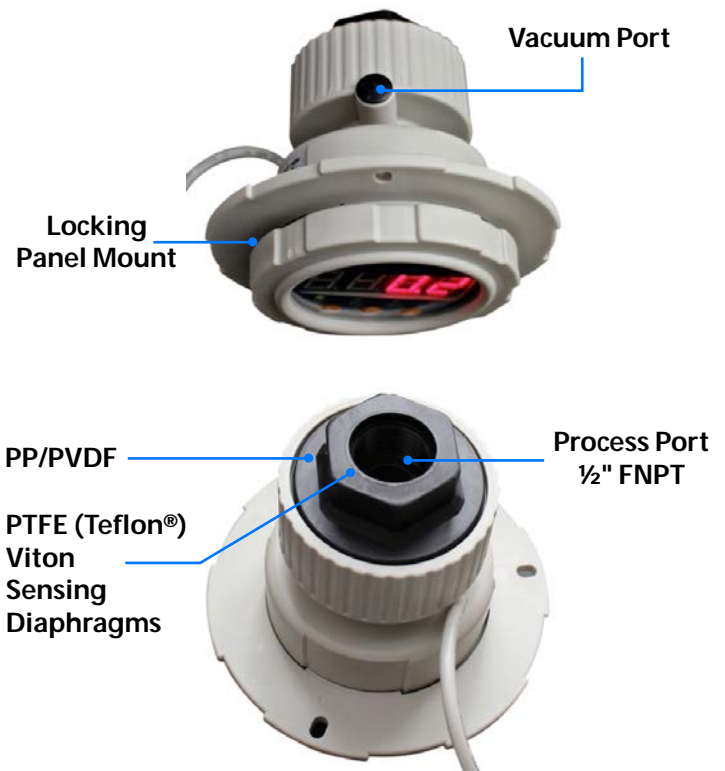


### Features

- All Plastic (Gauge + Isolator)
- No Filling Required
- Heavy Duty Design; Simple to Install
- Completely Corrosion Resistant
- Designed to Act as Visual Pressure Alert for Bag/Filter Change-Out
- Extra Large Display
- Reduces Small Pressure Surges caused by Water Hammer or Metering Pump Pulsations
- Highest Accuracy in Industry  $\pm 1.5\%$
- One-Piece Molded Design (No Assembly)
- Suitable for Corrosive Media + Slurries
- No Programming Required
- PTFE Diaphragm - Standard PP and PVDF
- No Assembly Required

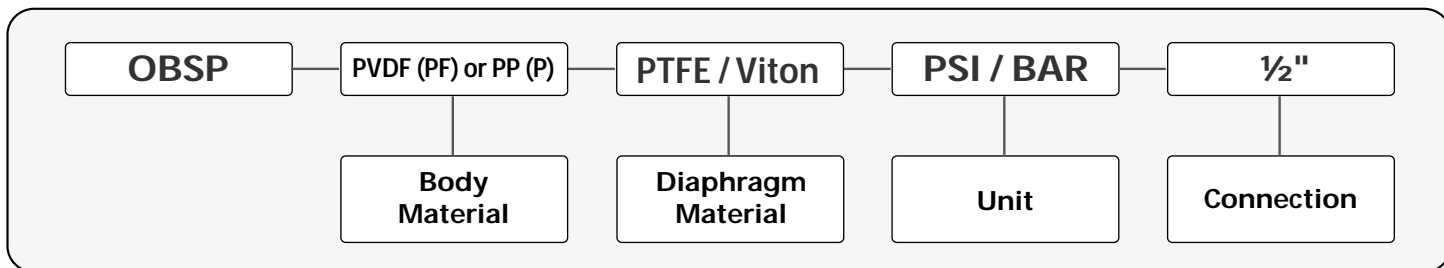
### General Data

SPECIFICATION	DESCRIPTION
Dial Diameter	Large 2½" (Big Numbers)
Mounting	Direct Mount, Bottom Connection FNPT ½"
Housing	NEMA 4X PVDF or Polypro - PTFE Diaphragm - One Piece Molded Design (No Assembly)
Lens	Polycarbonate
Dial	Dial Psi Bar
Connection	1/2" FNPT
Accuracy	$\pm 1.5\%$
Operating temperature	Max. Working Temp. PVDF-195 F, PP-170°F
Pressure Range	0-290 PSI (Ambient Temp)

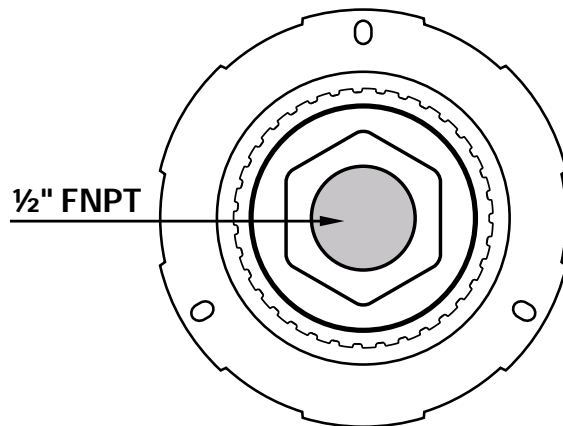
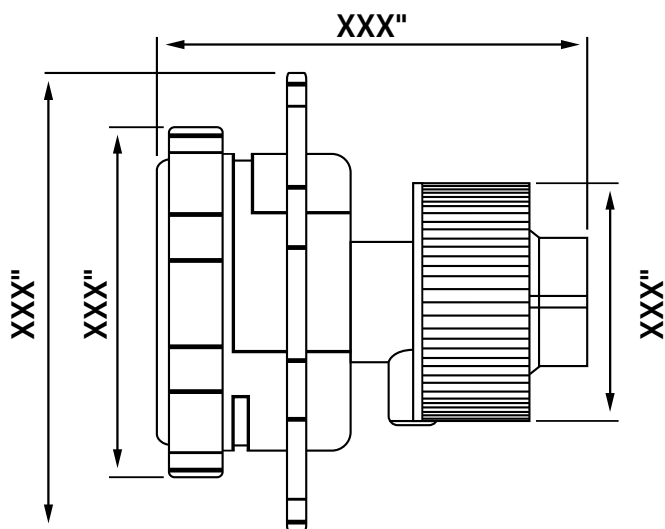
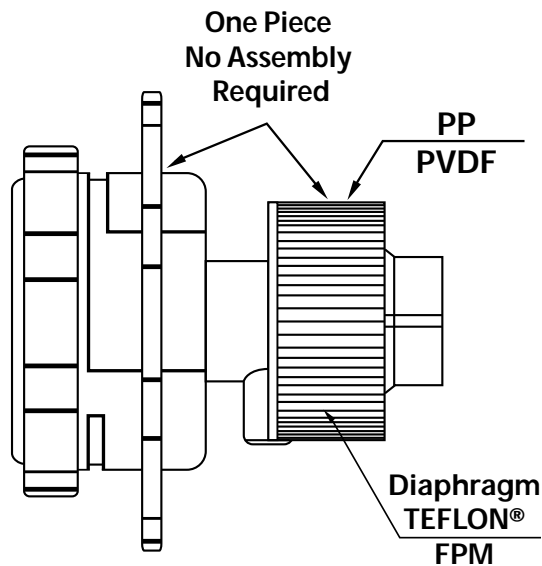
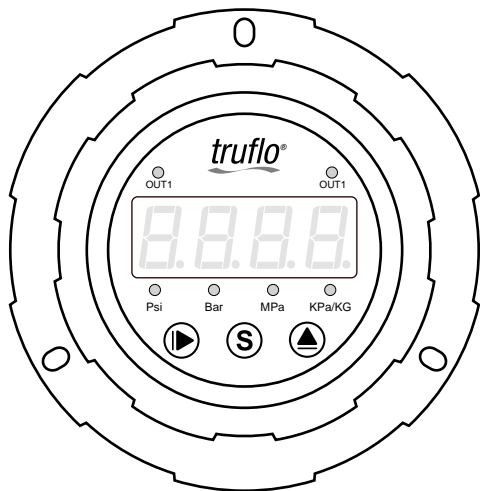




# HOW TO ORDER



# OBS-P Series



## Hysteresis Mode

### Hysteresis Mode (NO Type)

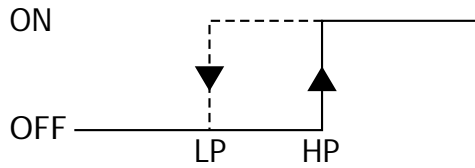


Fig - 1

### Hysteresis Mode (NC Type)

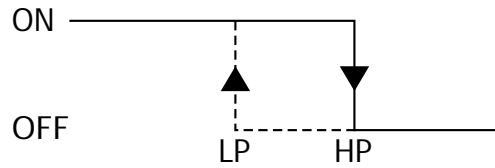
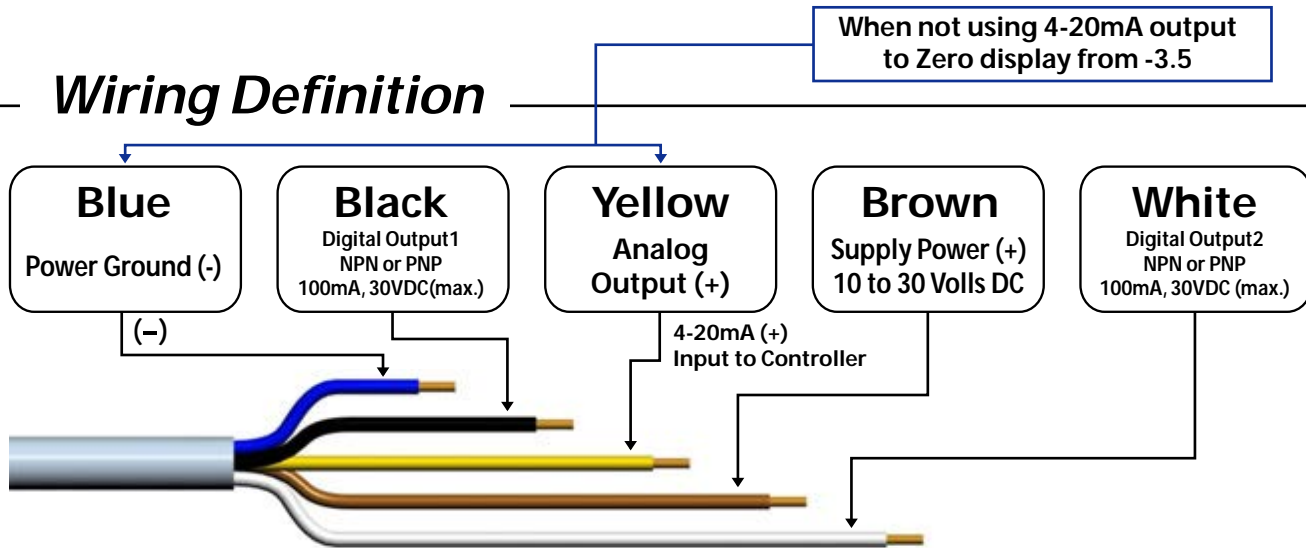


Fig - 2

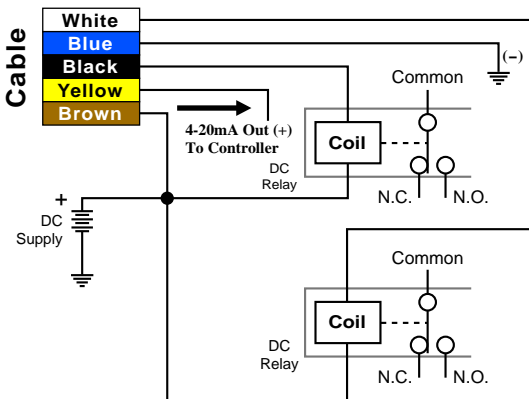
## Wiring Definition



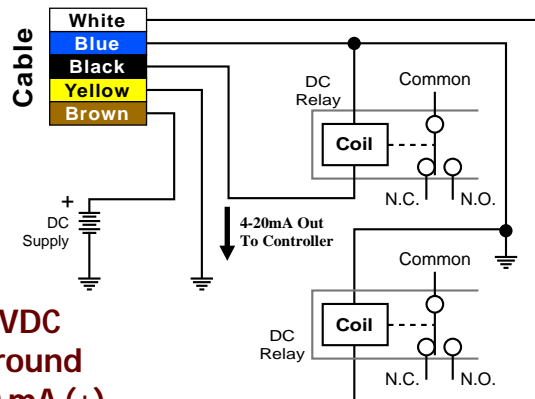
When not using Analog Output (4-20mA) Blue must be connected with Power Ground (Yellow) to Zero Display.  
When using 4-20mA output Blue (-VDC) Brown (+VDC) Yellow to mA Input on Controller.

## Wiring Diagram

### 1. NPN Mode



### 2. PNP Mode



**Brown + VDC**  
**Blue (-) Ground**  
**Yellow 4-20 mA (+)**