

WGI 601 Series Brass Ball Valves

WGI 601 series brass ball valves "excel" in many different industries including hvac, agricultural, irrigation, hydraulics, and hot water heating systems. WGI 601 series brass ball valves are installed where a quality valve is required.

Specifications

Sizes

1/4" through 4" NPT

Porting

Full port

Body Material

Cast brass

Ball Material

Chrome plated brass

Seat Material

Teflon®

Stem Packing

Teflon®

Pressure Rating

600 psi WOG / 150 psi working steam pressure

Temperature Rating

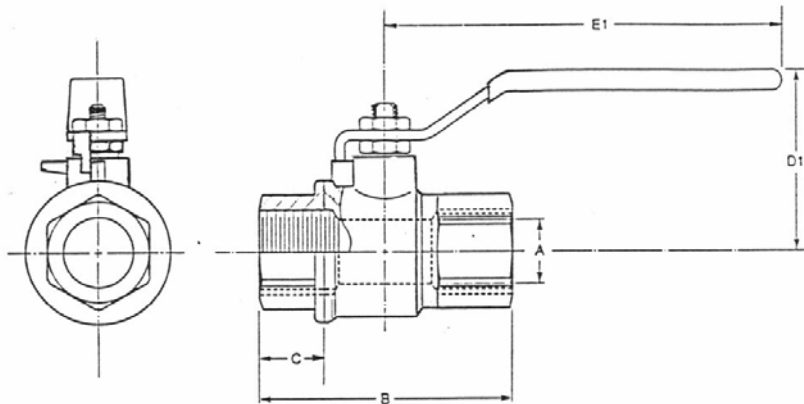
-20° to 300° F (-20 to 150°C) WOG

Options

Optional solder by solder ends (special order)



601-1/2



Dimensions: mm / inch

| Part Number | A | B | C | D1 | E1 | Weight |
|-----------------------|--------------|--------------|-------------|--------------|--------------|--------------|
| 601-1/4MF-MINI | 0.22 / 5.6 | 1.75 / 44.5 | 0.375 / 10 | 1.75 / 44.5 | 1.5 / 88.9 | 0.44 / 88.9 |
| 601-1/4FF-MINI | 0.22 / 5.6 | 1.75 / 44.5 | 0.375 / 10 | 1.75 / 44.5 | 1.5 / 88.9 | 0.44 / 88.9 |
| 601-1/4 | 0.25 / 6.4 | 1.75 / 44.5 | 0.375 / 10 | 1.75 / 44.5 | 3.50 / 88.9 | 0.44 / 88.9 |
| 601-3/8 | 0.375 / 9.5 | 1.75 / 44.5 | 0.375 / 10 | 1.75 / 44.5 | 3.50 / 88.9 | 0.44 / 88.9 |
| 601-1/2 | 0.50 / 12.7 | 2.00 / 50.8 | 0.50 / 12.7 | 1.95 / 49.5 | 3.50 / 88.9 | 0.55 / 0.25 |
| 601-3/4 | 0.75 / 19.1 | 2.25 / 57.2 | 0.57 / 14.5 | 2.10 / 53.3 | 4.10 / 104.1 | 0.77 / 0.35 |
| 601-1 | 1.00 / 25.4 | 2.80 / 71.1 | 0.70 / 17 | 2.60 / 66.0 | 4.70 / 119.4 | 1.28 / 0.58 |
| 601-1-1/4 | 1.25 / 31.8 | 3.22 / 81.8 | 0.75 / 19.1 | 3.00 / 76.2 | 4.70 / 119.4 | 2.20 / 1.00 |
| 601-1-1/2 | 1.50 / 38.1 | 3.60 / 91.4 | 0.75 / 19.1 | 3.35 / 85.1 | 5.75 / 146.1 | 3.04 / 1.38 |
| 601-2 | 2.00 / 50.1 | 4.20 / 106.7 | 0.80 / 20.3 | 3.60 / 91.4 | 5.75 / 146.1 | 3.86 / 1.75 |
| 601-2-1/2 | 2.50 / 63.5 | 5.30 / 134.6 | 1.00 / 25.4 | 4.50 / 114.3 | 9.20 / 233.7 | 8.27 / 3.75 |
| 601-3 | 3.00 / 76.2 | 6.25 / 158.8 | 1.20 / 30.5 | 4.90 / 124.5 | 9.20 / 233.7 | 11.02 / 5.00 |
| 601-4 | 4.00 / 101.6 | 7.40 / 188.0 | 1.40 / 35.6 | 5.70 / 144.8 | 9.20 / 233.7 | 18.19 / 8.25 |

WGI 601SS Series Stainless Steel Ball Valves

WGI Excel 601ss series stainless steel ball valve are made of 316 stainless steel and conforms to NACE standard MRO-175-2003 for use in sour gas service. WGI stainless ball valves have a locking handle and mounting pads either for an actuator or wall mounting.

Specifications

Sizes

1/4" through 2" NPT

Porting

Full port

Body Material

316 Stainless steel

Ball Material

316 Stainless steel

Seat Material

Teflon®

Stem Packing

Teflon®

Pressure Rating

1/4" through 3/4" 2000 psi (WOG) 1" through 2" NPT 1500 psi (WOG)

Temperature Rating

-60° to 450°F (-51 to 232°C) WOG

Handle

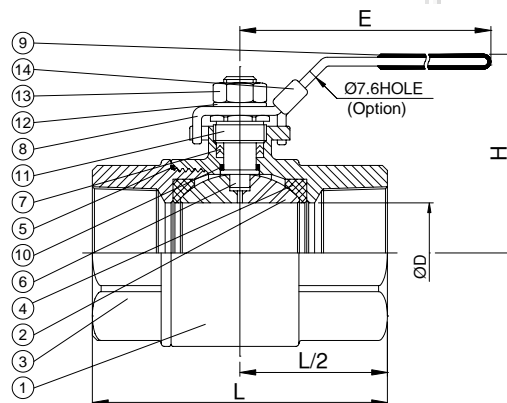
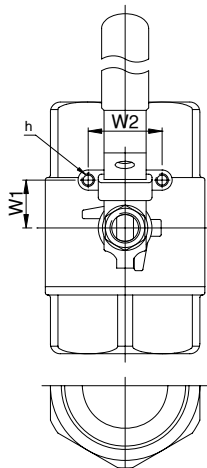
304 Stainless steel



601SS-1/2

Dimensions & Part Numbers

| Part Numbers |
|--------------|
| 601SS-1/4 |
| 601SS-3/8 |
| 601SS-1/2 |
| 601SS-3/4 |
| 601SS-1 |
| 601SS-1-1/4 |
| 601SS-1-1/2 |
| 601SS-2 |



MATERIALS LIST

| NO. | PART NAME | MATERIAL | Q'TY |
|-----|---------------|--------------|------|
| 1 | BODY | A351 Gr.CF8M | 1 |
| 2 | BALL | A351 Gr.CF8M | 1 |
| 3 | END CAP | A351 Gr.CF8M | 1 |
| 4 | SEAT | PTFE., RTFE. | 2 |
| 5 | BODY SEAL | PTFE. | 1 |
| 6 | STEM | SS316 | 1 |
| 7 | STEM PACKING | PTFE. | 1SET |
| 8 | HANDLE | SS304 | 1 |
| 9 | HANDLE COVER | PLASTIC | 1 |
| 10 | THRUST WASHER | PTFE. | 1 |
| 11 | GLAND NUT | SS304 | 1 |
| 12 | HANDLE WASHER | SS304 | 1 |
| 13 | HANDLE NUT | SS304 | 1 |
| 14 | LOCKING PAD | SS304 | 1 |

DIMENSION

| SIZE | D | L | H | E | W1 | W2 | h | Cv FACTOR |
|--------------|------|-------|-------|-------|------|------|---------|-----------|
| 601SS 1/4" | 11.0 | 59.5 | 57.0 | 103.0 | 12.7 | 28.5 | M5xP0.8 | 16.0 |
| 601SS 3/8" | 12.5 | 59.5 | 57.0 | 103.0 | 12.7 | 28.5 | M5xP0.8 | 16.0 |
| 601SS 1/2" | 15.0 | 64.5 | 57.6 | 103.0 | 12.7 | 28.5 | M5xP0.8 | 26.0 |
| 601SS 3/4" | 20.0 | 77.0 | 68.5 | 127.0 | 22.4 | 35.0 | M6xP1.0 | 55.0 |
| 601SS 1" | 25.0 | 90.5 | 72.7 | 127.0 | 22.4 | 35.0 | M6xP1.0 | 110.0 |
| 601SS 1-1/4" | 32.0 | 99.5 | 87.7 | 156.0 | 25.4 | 38.1 | M6xP1.0 | 180.0 |
| 601SS 1-1/2" | 40.0 | 118.0 | 93.0 | 193.0 | 25.4 | 38.1 | M6xP1.0 | 270.0 |
| 601SS 2" | 50.8 | 136.5 | 104.3 | 193.0 | 25.4 | 38.1 | M6xP1.0 | 500.0 |

WGI BKH/BK3 Series High Pressure Ball Valves

WGI BKH high pressure series ball valves are made of nickel plated carbon steel and are primarily used in the hydraulic industry where pressures operate around 5000 psi. WGI BKH series ball valves are field repairable, have blowout proof stems and delrin ball seats.

Specifications

Sizes

1/4" through 2" NPT

Porting

Full port

Body Material

Carbon steel

Ball & Stem Material

Nickel plated carbon steel

Seat Material

Delrin

Stem Packing

Buna N

Pressure Rating

1/4", 3/8" & 1/2" 7250 psi

3/4" through 2" 5000 psi

Temperature Rating

-20° to 300° F (-20 to 150° C) WOG

Handle

Die-cast zinc

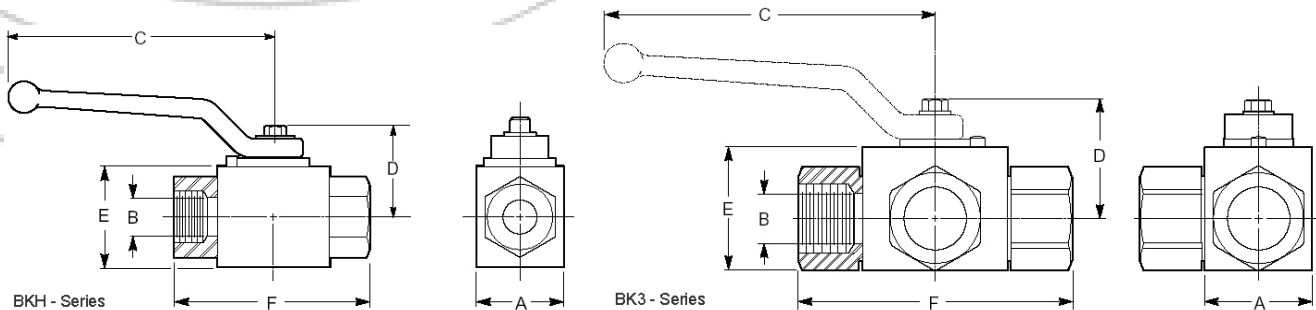


BKH-1/2



BK3-1/2

Dimensions & Part Numbers



BKH Series - High pressure ball valves

| Part Number | Working Pressure | A | B | C | D | E | F | Weight KG |
|-------------|------------------|-----|----|-----|------|-----|-----|-----------|
| BKH-1/4 | 7250 PSI | 26 | 6 | 115 | 13.5 | 47 | 69 | 0.4 |
| BKH-3/8 | 7250 PSI | 32 | 10 | 115 | 17.5 | 52 | 78 | 0.55 |
| BKH-1/2 | 7250 PSI | 35 | 13 | 115 | 19 | 54 | 104 | 0.75 |
| BKH-3/4 | 5000 PSI | 49 | 20 | 200 | 24.5 | 75 | 102 | 1.63 |
| BKH-1 | 5000 PSI | 58 | 25 | 200 | 29.5 | 83 | 119 | 2.30 |
| BKH-1-1/4 | 5000 PSI | 81 | 32 | 320 | 40.5 | 107 | 120 | 3.3 |
| BKH-1-1/2 | 5000 PSI | 100 | 38 | 320 | 50 | 124 | 130 | 5.4 |
| BKH-2 | 5000 PSI | 118 | 48 | 320 | 59 | 138 | 140 | 7.5 |

3 Way High Pressure Selector Ball Valves – BK3 Series

| Part Number | Working Pressure | A | B | C | D | E | F |
|-------------|------------------|------|-----|------|------|------|------|
| BK3-1/2 | 5145 PSI | 1.38 | .51 | 4.21 | 1.31 | 1.57 | 3.62 |
| BK3-3/4 | 5145 PSI | 1.93 | .79 | 6.50 | 1.91 | 2.24 | 3.82 |
| BK3-1 | 5145 PSI | 2.36 | .94 | 6.50 | 1.95 | 2.36 | 4.45 |

