

Application

WGI Bimetal Thermometers are rugged and are preferred by the process, offshore, pharmaceutical, power and chemical industries. Liquid filling for additional dampening, extreme vibration, or to ensure (assure) consistent performance in low temperature or high humidity applications.



Standard Features

Dial
2" Dial

Case
304 stainless steel

Lens (Window) Material
Glass

Stem
White aluminum with black and red lettering

Pointer
Black aluminum

Accuracy
± 1% full scale

Ambient Temperature
75% of full scale value (recommended max)

Operating Temperature
-60°C to 120°C (-76°F to 248°F)

Enclosure Rating
IP68

Case Material
304 Stainless Steel

Recalibration
Recalibration screw on back of case (standard)

Optional Features (minimum order may apply)

Silicone fill

Single scale(s) (C° only F° only)

Custom stem lengths up to 72"

Private label (your logo on dial)

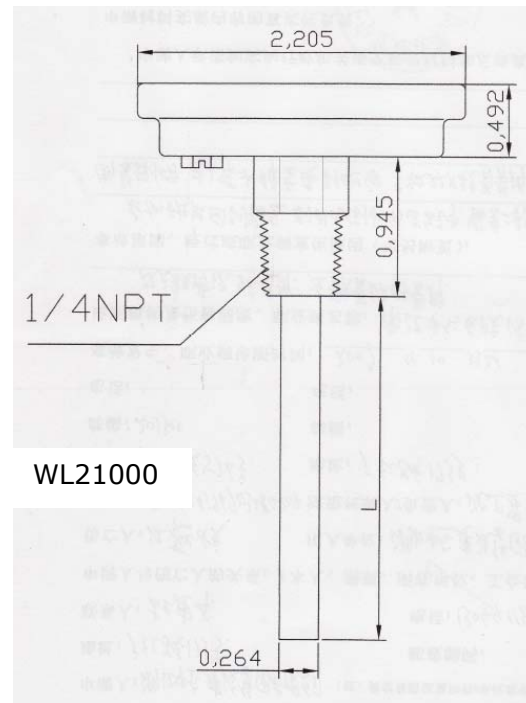
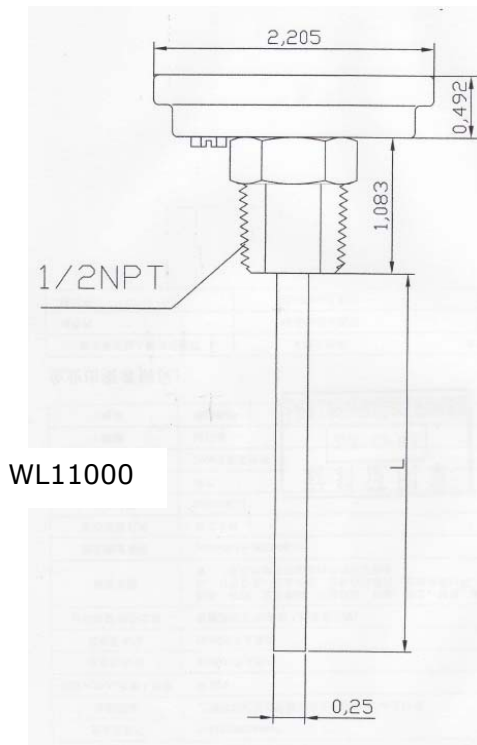
Custom temperature ranges available

Optional mounting styles available (ie side mount)

Spiked stem tips

Dial Size	2" Dial							
Connection	1/4" NPT Center Back Mount				1/2" NPT Center Back Mount			
Stem Length	2 1/2"	4"	6"	9"	2 1/2"	4"	6"	9"
Range								
-40°F to 160°F (-40°C to 70°C)	WL11102	WL11202	WL11302	n/s	n/s	WL21202	WL21302	
0°F to 250°F (-20°C to 120°C)	WL11105	WL11205	WL11305	n/s	n/s	n/s	WL21305	WL21405
50°F to 500°F (10°C to 260°C)	WL11108	WL11208	WL11308	n/s	n/s	n/s	n/s	n/s

Series	Dial Size	A	B	C	D (Hex)	E
WL11000	2"	2.13"	0.425"	1/4" NPT	0.546"	n/a
WL21000	2"	2.13"	0.425"	1/2" NPT	0.822"	n/a



Western Gauge & Instruments Ltd. – Head Office
 1,2 4045 – 74 Ave S.E.
 Calgary, AB T2C 1H5
 Ph: (403) 236-4888 Fax: (403) 236-7629
 Email: sales@wgilt.com

Western Gauge & Instruments Ltd. – Branch Office
 6624 – 50th Street
 Edmonton, AB T6B 2N7
 Ph: (780) 463-3800 Fax: (780) 463-3990
 Email: edm@wgilt.com

Application

WGI Bimetal Thermometers are rugged and are preferred by the process, offshore, pharmaceutical, power and chemical industries. Liquid filling for additional dampening, extreme vibration, or to ensure consistent performance in low temperature or high humidity applications.

Standard Features

Dial

3" Dial

Case

304 stainless steel

Lens (Window) Material

Glass

Stem

White aluminum with black and red lettering

Pointer

Black aluminum

Accuracy

± 1% full scale

Ambient Temperature

75% of full scale value (recommended max)

Operating Temperature

-60°C to 120°C (-76°F to 248°F)

Enclosure Rating

IP68

Case Material

304 Stainless Steel

Recalibration

Recalibration screw on back of case (standard)



Optional Features (minimum order may apply)

Silicone fill

Single scale(s) (C° only F° only)

Custom stem lengths up to 72"

Private label (your logo on dial)

Custom temperature ranges available

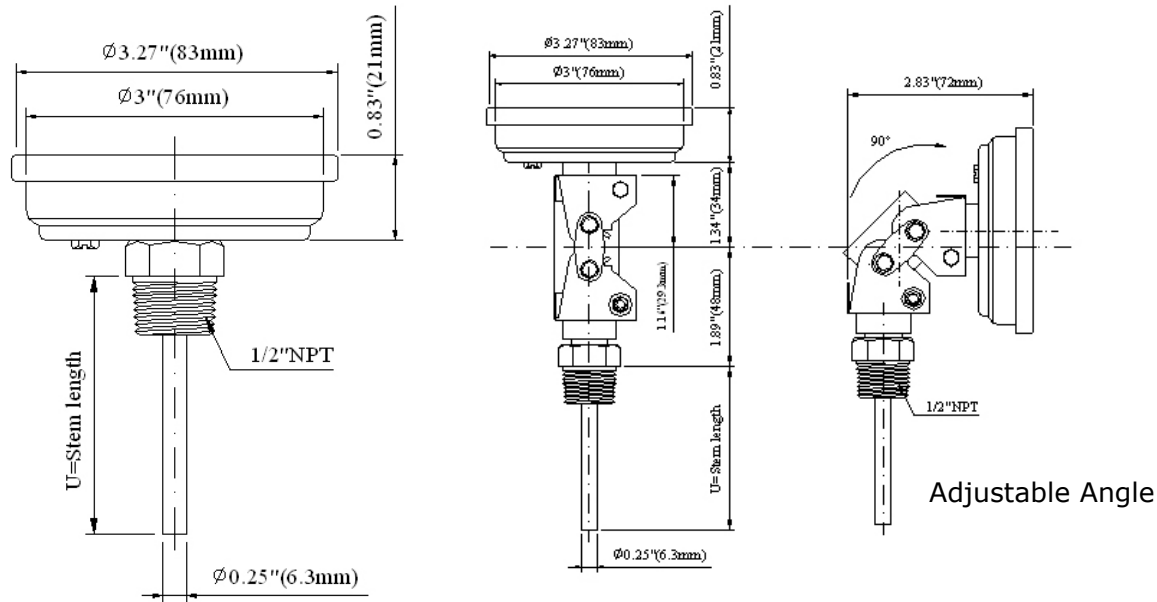
Optional mounting styles available (ie side mount)

Spiked stem tips

Dial Size	3" Dial						
Connection	1/2" NPT Center Back Mount						
Stem Length	2 1/2"	4"	6"	9"	12"	15"	18"
Range							
-40°F to 160°F (-40°C to 70°C)	WL31102	WL31202	WL31302	WL31402	WL31502	WL31602	WL31702
0°F to 250°F (-20°C to 120°C)	WL31105	WL31205	WL31305	WL31405	WL31505	WL31605	WL31705
50°F to 300°F (10°C to 150°C)	WL31106	WL31206	WL31306	WL31406	WL31506	WL31606	WL31706
50°F to 500°F (10°C to 260°C)	WL31108	WL31208	WL31308	WL31408	WL31508	WL31608	WL31708
150° to 750°F (50°C to 400°C)	WL31110	WL31210	WL31310	WL31410	WL31510	WL31610	WL31710
200° to 1000°F (100° to 550°C)	WL31111	WL31211	WL31311	WL31411	WL31511	WL31611	WL31711

Dial Size	3" Dial						
Connection	1/2" NPT Center Back Mount Adjustable Angle						
Stem Length	2 1/2"	4"	6"	9"	12"	15"	18"
Range							
-40°F to 160°F (-40°C to 70°C)	WL33102	WL33202	WL33302	WL33402	WL33502	POR	POR
0°F to 250°F (-20°C to 120°C)	WL33105	WL33205	WL33305	WL33405	WL33505	POR	POR
50°F to 300°F (10°C to 150°C)	WL33106	WL33206	WL33306	WL33406	WL33506	POR	POR
50°F to 500°F (10°C to 260°C)	WL33108	WL33208	WL33308	WL33408	WL33508	POR	POR
150° to 750°F (50°C to 400°C)	WL33110	WL33210	WL33310	WL33410	WL33510	POR	POR
200° to 1000°F (100° to 550°C)	WL33111	WL33211	WL33311	WL33411	WL33511	POR	POR

Temperature Range	Major Divisions		Minor Divisions	
	°F	°C	°F	°C
-40°F to 160°F (-40°C to 70°C)	10	10	2	2
0°F to 250°F (-20°C to 120°C)	10	10	2	2
50°F to 300°F (10°C to 150°C)	10	10	2	2
50°F to 500°F (10°C to 260°C)	25	10	5	5
150° to 750°F (50°C to 400°C)	50	10	10	5
200° to 1000°F (100° to 550°C)	50	10	10	5



Series	Dial Size	A	B	C	D (Hex)	E
WL31000	2"	2.13"	0.425"	1/4" NPT	0.546"	n/a
WL33000	2"	2.13"	0.425"	1/2" NPT	0.822"	n/a

Western Gauge & Instruments Ltd. – Head Office
 1,2 4045 – 74 Ave S.E.
 Calgary, AB T2C 1H5
 Ph: (403) 236-4888 Fax: (403) 236-7629
 Email: sales@wgilt.com

Western Gauge & Instruments Ltd. – Branch Office
 6624 – 50th Street
 Edmonton, AB T6B 2N7
 Ph: (780) 463-3800 Fax: (780) 463-3990
 Email: edm@wgilt.com

Application

WGI Bimetal Thermometers are rugged and are preferred by the process, offshore, pharmaceutical, power and chemical industries. Liquid filling for additional dampening, extreme vibration, or to ensure consistent performance in low temperature or high humidity applications.



Standard Features

Dial

3 " Dial

Case

304 stainless steel

Lens (Window) Material

Glass

Stem

White aluminum with black and red lettering

Pointer

Black aluminum

Accuracy

± 1% full scale

Ambient Temperature

75% of full scale value (recommended max)

Operating Temperature

-60°C to 120°C (-76°F to 248°F)

Enclosure Rating

IP68

Case Material

304 Stainless Steel

Recalibration

Recalibration screw on back of case (standard)

Optional Features (minimum order may apply)

Silicone fill

Single scale(s) (C° only F° only)

Custom stem lengths up to 72"

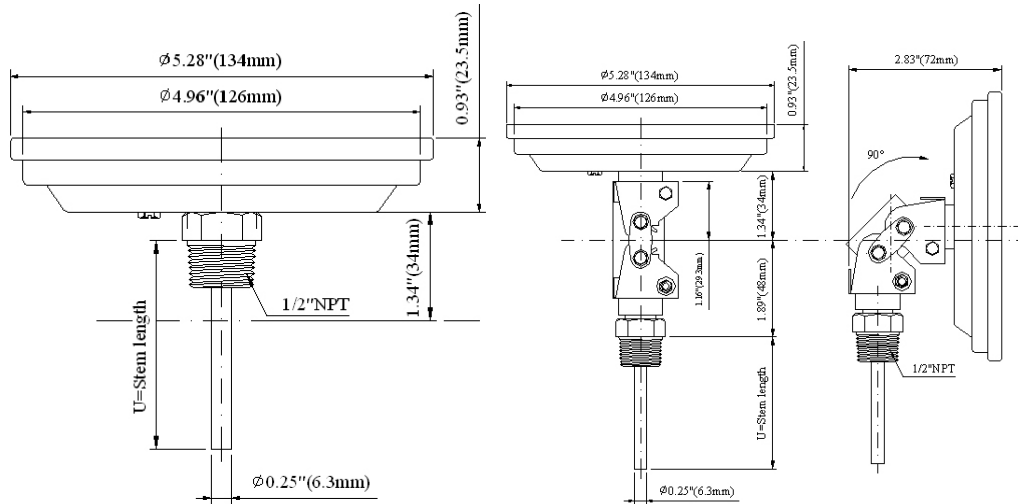
Private label (your logo on dial)

Custom temperature ranges available

Optional mounting styles available (ie side mount)

Spiked stem tips

Dial Size	5" Dial						
Connection	1/2" NPT Center Back Mount						
Stem Length (L)	2 1/2"	4"	6"	9"	12"	15"	18"
Range							
-40°F to 160°F (-40°C to 70°C)	WL51102	WL51202	WL51302	WL51402	WL51502	WL51602	WL51702
0°F to 250°F (-20°C to 120°C)	WL51105	WL51205	WL51305	WL51405	WL51505	WL51605	WL51705
50°F to 300°F (10°C to 150°C)	WL51106	WL51206	WL51306	WL51406	WL51506	WL51606	WL51706
50°F to 500°F (10°C to 260°C)	WL51108	WL51208	WL51308	WL51408	WL51508	WL51608	WL51708
150° to 750°F (50°C to 400°C)	WL51110	WL51210	WL51310	WL51410	WL51510	WL51610	WL51710
200° to 1000°F (100° to 550°C)	WL51111	WL51211	WL51311	WL51411	WL51511	WL51611	WL51711
Dial Size	5" Dial						
Connection	1/2" NPT Center Back Mount Adjustable Angle						
Stem Length (L)	2 1/2"	4"	6"	9"	12"	15"	18"
Range							
-40°F to 160°F (-40°C to 70°C)	WL53102	WL53202	WL53302	WL53402	WL53502	POR	POR
0°F to 250°F (-20°C to 120°C)	WL53105	WL53205	WL53305	WL53405	WL53505	POR	POR
50°F to 300°F (10°C to 150°C)	WL53106	WL53206	WL53306	WL53406	WL53506	POR	POR
50°F to 500°F (10°C to 260°C)	WL53108	WL53208	WL53308	WL53408	WL53508	POR	POR
150° to 750°F (50°C to 400°C)	WL53110	WL53210	WL53310	WL53410	WL53510	POR	POR
200° to 1000°F (100° to 550°C)	WL53111	WL53211	WL53311	WL53411	WL53511	POR	POR



Series	Dial Size	"U" Stem Length
WL31000	5"	2.5"
WL31200	5"	4"
WL31300	5"	6"
WL31400	5"	9"
WL31500	5"	12"
WL31600	5"	15"
WL31700	5"	18"
WL33100	5"	2.5"
WL33200	5"	4"
WL33300	5"	6"
WL33400	5"	9"
WL33500	5"	12"

Western Gauge & Instruments Ltd. – Head Office
 1,2 4045 – 74 Ave S.E.
 Calgary, AB T2C 1H5
 Ph: (403) 236-4888 Fax: (403) 236-7629
 Email: sales@wgilt.com

Western Gauge & Instruments Ltd. – Branch Office
 6624 – 50th Street
 Edmonton, AB T6B 2N7
 Ph: (780) 463-3800 Fax: (780) 463-3990
 Email: edm@wgilt.com

Application

Widely used in the industrial and HVAC Trades.

Standard Features

Fill Type

Red reading spirit for ranges up to 240°F/C
Ranges above 240° F/C Contain mercury

Case

Die-cast blue aluminum, V-shaped

Lens (Window) Material

Acrylic

Stem

2½" Aluminum stem standard.

Accuracy

± 1% full scale

Ambient Temperature

75% of full scale value (recommended max)

Operating Temperature

-60°C to 120°C (-76°F to 248°F)

Enclosure Rating

IP68

Thermowell

1/2" Brass (other materials available)

Adjustment

One screw permits the case to be rotated 180°
and stem to be positioned in 10° increments
allowing the operator to select the desirable
viewing position.



Optional Features (minimum order may apply)

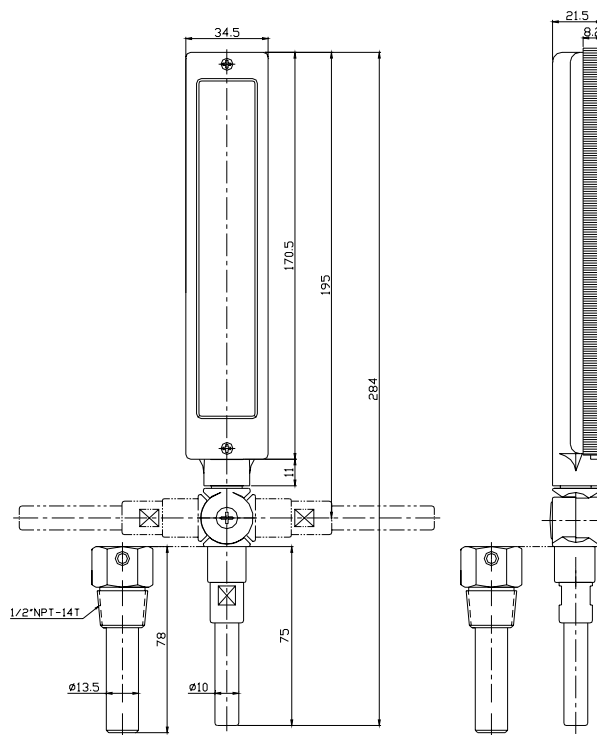
Exposed Tip (Air Duct)

Duct Flanges

Other stem lengths available

Scale Size	7" Scale
Range	3/4" NPT (with thermowell)
-40°F to 110°F (-40°C to 40°C)	WAA2301
0°F to 120°F (-20°C to 50°C)	WAA2303*
0°F to 180°F (-20°C to 80°C)	WAA2304*
30°F to 240°F (0°C to 115°C)	WAA2305
50° to 500°F (10°C to 285°C)	WAA2308*

* Not normally stocked



Western Gauge & Instruments Ltd. – Head Office
 1,2 4045 – 74 Ave S.E.
 Calgary, AB T2C 1H5
 Ph: (403) 236-4888 Fax: (403) 236-7629
 Email: sales@wgilt.com

Western Gauge & Instruments Ltd. – Branch Office
 6624 – 50th Street
 Edmonton, AB T6B 2N7
 Ph: (780) 463-3800 Fax: (780) 463-3990
 Email: edm@wgilt.com