

Application

WGI Elite series pressure gauges have a 304 stainless steel case for use in harsh or corrosive environments, liquid filled for significant cushioning and pulsation dampening which reduces pointer flutter and internal damage. Industries suited for include oil and gas equipment, refineries, hydraulic equipment, agricultural equipment, pressure washers, pumps, compressors and process systems.

Ranges (all ranges not stocked)
Vacuum / Compound to 30"Hg / 0 / 60 PSI
Pressure from 15 PSI to 15,000 PSI

Standard Features

Size

2½" Dial

Fill Fluid

Silicone

Lens (Window) Material

Acrylic & Safety glass (ranges over 5000 psi)

Dial

White aluminum with black and red lettering

Pointer

Black aluminum

Accuracy

± 2%-1%-2% ASME B40.1 Grade A

Tube & Socket

316 Stainless tube soldered to Stainless socket

Temperature Limits

-60°C (-4°F) to 70°C (158°F) ambient and medium

Pressure Ranges

-30" Hg. Vacuum to 15,000 psi/kpa

Case Material

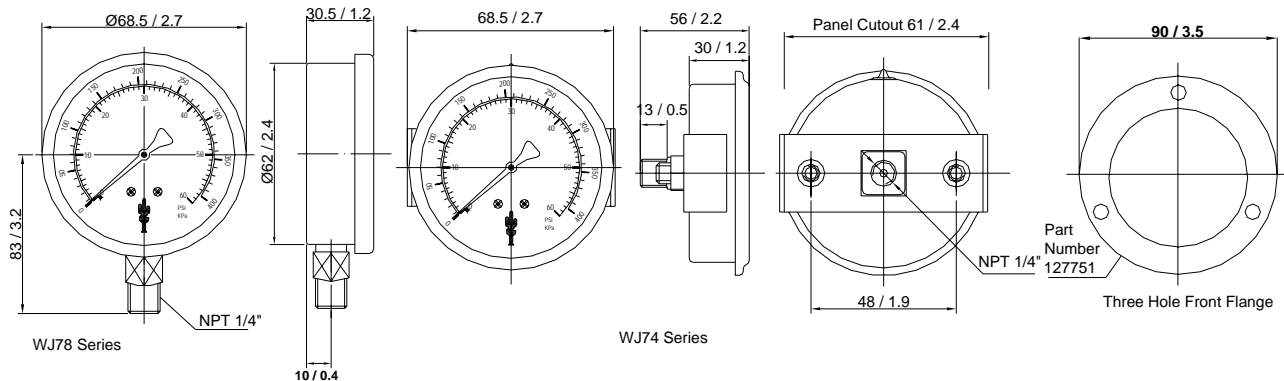
304 Stainless Steel



Optional Features (minimum order may apply)

- Private label (your logo on dial)
- Custom dial layout
- Single scale, Bar, kPa, Kg/cm²
- Rubber "gauge guard"
- Cleaned for O2 Service
- Nickel or Chrome plating
- Plastic lens
- Special connections limited to wrench flat area
- Custom soldering connection for high temperatures
- Stainless steel case
- Brass case
- Medical specification

Connection	Elite 250 Series	
	1/4" BTM	1/4" CBM
Pressure Ranges		
30" Hg Vac	WJ7805P	WJ7405P
30" Hg. x 30 psi	WJ7812P	WJ7412P
30" Hg. x 60 psi	WJ7814P	WJ7414P
0-15 psi / kpa	WJ7840P	WJ7440P
0-30 psi / kpa	WJ7842P	WJ7442P
0-60 psi / kpa	WJ7846P	WJ7446P
0-100 psi / kpa	WJ7848P	WJ7448P
0-160 psi / kpa	WJ7852P	WJ7452P
0-200 psi / kpa	WJ7854P	WJ7454P
0-300 psi / kpa	WJ7858P	WJ7458P
0-400 psi / kpa	WJ7860P	WJ7460P
0-600 psi / kpa	WJ7864P	WJ7464P
0-1000 psi / kpa	WJ7872P	WJ7472P
0-1500 psi / kpa	WJ7874P	WJ7474P
0-2000 psi / kpa	WJ7876P	WJ7476P
0-3000 psi / kpa	WJ7878P	WJ7478P
0-5000 psi / kpa	WJ7882P	WJ7482P
0-6000 psi / kpa	WJ7884P	WJ7484P
0-7500 psi / kpa	WJ7886P	WJ7486P
0-10000 psi / kpa	WJ7890P	WJ7490P
0-15000 psi / kpa	WJ7892P	WJ7492P



Western Gauge & Instruments Ltd. – Head Office
 1,2 4045 – 74 Ave S.E.
 Calgary, AB T2C 1H5
 Ph: (403) 236-4888 Fax: (403) 236-7629
 Email: sales@wgilt.com

Western Gauge & Instruments Ltd. – Branch Office
 6624 – 50th Street
 Edmonton, AB T6B 2N7
 Ph: (780) 463-3800 Fax: (780) 463-3990
 Email: edm@wgilt.com

Application

WGI Elite series pressure gauges have a 304 stainless steel case for use in harsh or corrosive environments, liquid filled for significant cushioning and pulsation dampening which reduces pointer flutter and internal damage. Industries suited for include oil and gas equipment, refineries, hydraulic equipment, agricultural equipment, pressure washers, pumps, compressors and process systems.

Ranges (all ranges not stocked)

Vacuum / Compound to 30" Hg / 0 / 60 PSI

Pressure from 15 PSI to 15,000 PSI

Standard Features

Size

2½" Dial

Fill Fluid

Silicone

Lens (Window) Material

Acrylic & Safety glass (ranges over 5000 psi)

Dial

White aluminum with black and red lettering

Pointer

Black aluminum

Accuracy

± 2%-1%-2% ASME B40.1 Grade A

Tube & Socket

Brass tube soldered to brass socket

Temperature Limits

-60°C (-4°F) to 70°C (158°F) ambient and medium

Pressure Ranges

-30" Hg. Vacuum to 15,000 psi/kpa

Case Material

304 Stainless Steel



Optional Features (minimum order may apply)

Private label (your logo on dial)

Custom dial layout

Single scale, Bar, kPa, Kg/cm²

Rubber "gauge guard"

Cleaned for O2 Service

Nickel or Chrome plating

Plastic lens

Special connections limited to wrench flat area

Custom soldering connection for high temperatures

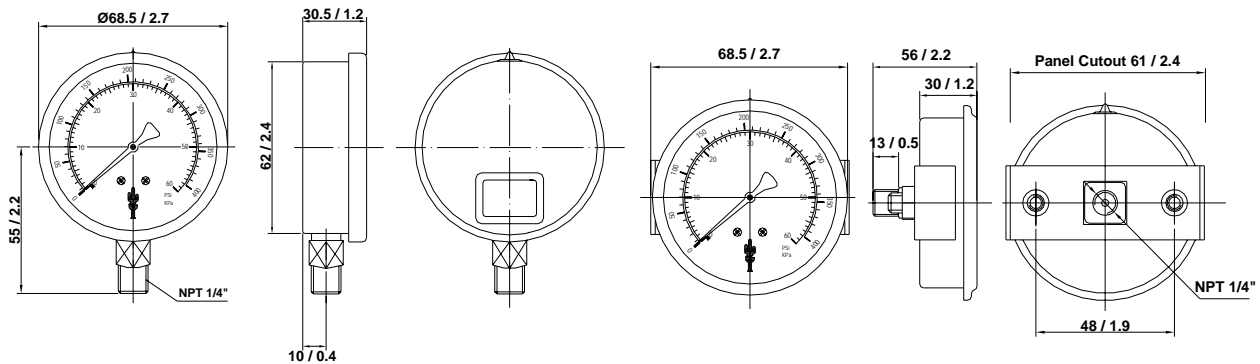
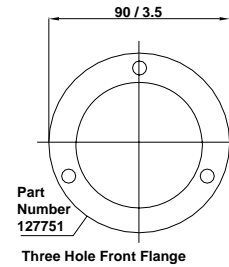
Stainless steel case

Brass case

Medical specification

Connection	Elite 250 Brass	
	1/4" BTM	1/4" CBU
Pressure Ranges		
30" Hg Vac	WJ7605P	WJ7205P
30" Hg. x 30 psi	WJ7612P	WJ7212P
30" Hg. x 60 psi	WJ7614P	WJ7214P
0-15 psi / kpa	WJ7640P	WJ7240P
0-30 psi / kpa	WJ7642P	WJ7242P
0-60 psi / kpa	WJ7646P	WJ7246P
0-100 psi / kpa	WJ7648P	WJ7248P
0-160 psi / kpa	WJ7652P	WJ7252P
0-200 psi / kpa	WJ7654P	WJ7254P
0-300 psi / kpa	WJ7658P	WJ7258P
0-400 psi / kpa	WJ7660P	WJ7260P
0-600 psi / kpa	WJ7664P	WJ7264P
0-1000 psi / kpa	WJ7672P	WJ7272P
0-1500 psi / kpa	WJ7674P	WJ7274P
0-2000 psi / kpa	WJ7676P	WJ7276P
0-3000 psi / kpa	WJ7678P	WJ7278P
0-5000 psi / kpa	WJ7682P	WJ7282P
0-6000 psi / kpa	WJ7684P	WJ7284P
0-7500 psi / kpa	WJ7686P	WJ7286P
0-10000 psi / kpa	WJ7690P	WJ7290P
0-15000 psi / kpa	WJ7692P	WJ7292P

Three Hole Front Flange
Part Number
127751



Western Gauge & Instruments Ltd. – Head Office
 1,2 4045 – 74 Ave S.E.
 Calgary, AB T2C 1H5
 Ph: (403) 236-4888 Fax: (403) 236-7629
 Email: sales@wgilt.com

Western Gauge & Instruments Ltd. – Branch Office
 6624 – 50th Street
 Edmonton, AB T6B 2N7
 Ph: (780) 463-3800 Fax: (780) 463-3990
 Email: edm@wgilt.com