

Application

WGI Diaphragm gauges are sensitive instruments used in low pressure applications not exceeding 10 PSI. The diaphragm capsule is an elastic metal sensing element comprised of two thin wall diaphragms that are soldered together to make the capsule. Typical applications include air flow indicators, liquid level indicators, leak testers, natural gas gauges and any other application that requires precise measurement of pressures below 10 PSI.

Ranges (all ranges not stocked)

Vacuum / Compound to 30"Hg / 0 / 60 PSI
Pressure from 15 PSI to 15,000 PSI

Standard Features

Size

2½" Dial

Fill Fluid

None

Lens (Window) Material

Screw-on acrylic

Dial

White aluminum with black and red lettering

Pointer

Black aluminum

Accuracy

± 2-1-2% ASME B40.1 Grade A

Diaphragm & Socket

316 Stainless tube soldered to Stainless socket

Temperature Limits

-60°C (-4°F) to 70°C (158°F) ambient
medium

Ranges

0-100" H₂O Vacuum through 0-100" H₂O

Case Material

Steel and 304 Stainless Steel



Optional Features (minimum order may apply)

Private label (your logo on dial)

Custom dial layout

Special Scales, Single scale, Bar, kPa, Kg/cm²

Rubber "gauge guard"

Cleaned for O₂ Service

Nickel or Chrome plating

Plastic lens

Special connections limited to wrench flat area

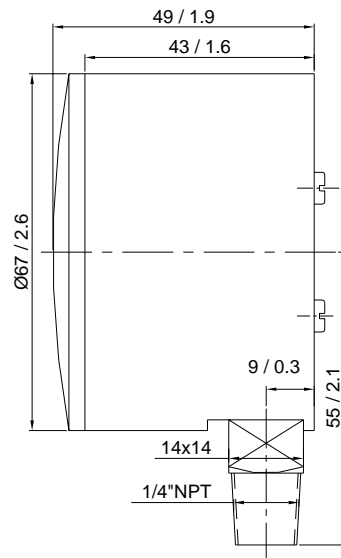
Custom soldering connection for high temperatures

Stainless steel case

Brass case

Medical specification

| Pressure Ranges | Brass | 316 SST |
|---|---------|-----------|
| 0-10" H ₂ O / 2.5KPA | WG22675 | *n/s |
| 0-15" H ₂ O / 8.75OZ / 3.7KPA | WG22706 | WG22706SS |
| 0-15" H ₂ O / 3.7KPA | WG24500 | *n/s |
| 0-30" H ₂ O / 7.5KPA | WG22704 | *n/s |
| 0-35" H ₂ O / 20OZ / 8.6KPA | WG22709 | WG22709SS |
| 0-55" H ₂ O / 32OZ / 13.8KPA | WG22707 | WG22707SS |
| 0-100" H ₂ O / 58OZ / 25KPA | WG22710 | WG22710SS |
| | | |
| 0-3PSI / 20KPA | WG22685 | WG22685SS |
| 0-5PSI / 34KPA | WG22702 | WG22702SS |
| 0-10PSI / 69KPA | WG22699 | WG22699SS |
| Vacuum Ranges & Compound Ranges | | |
| 0-30" H ₂ O VAC x 50" H ₂ O | WG22913 | *n/s |
| | | |
| 0-15" H ₂ O VAC / - KPA | WG22912 | *n/s |
| 0-30" H ₂ O VAC / - KPA | WG22914 | *n/s |
| 0-60" H ₂ O VAC / - KPA | WG22918 | *n/s |
| 0-100" H ₂ O VAC / - KPA | WG24502 | *n/s |



Western Gauge & Instruments Ltd. – Head Office
1,2 4045 – 74 Ave S.E.
Calgary, AB T2C 1H5
Ph: (403) 236-4888 Fax: (403) 236-7629
Email: sales@wgiltld.com

Western Gauge & Instruments Ltd. – Branch Office
6624 – 50th Street
Edmonton, AB T6B 2N7
Ph: (780) 463-3800 Fax: (780) 463-3990
Email: edm@wgiltld.com