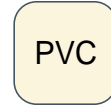


- Up to 24" Pipe Size
- Zirconium Ceramic Rotor | Bearings
- Accuracy $\pm 0.5\%$ of Full Scale
- Retrofits Into Signet® Type Fittings



SERIES : TIB

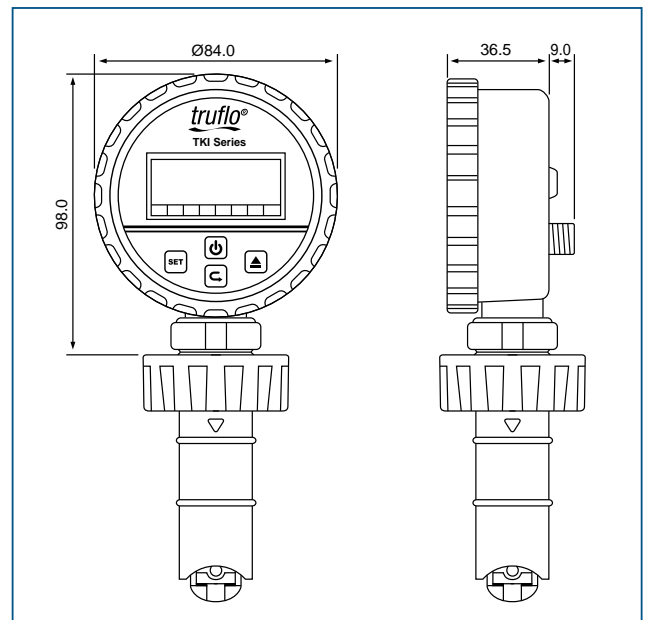
Features

- Large LCD Display
- High Accuracy | ± 0.5 of Full Scale
- Pipe Size $\frac{1}{2}$ - 24"
- Flow Rate + Totalizer | Resettable
- Flow Velocity Range | 0.33 to 33 ft/s | 0.1 to 8 m/s
- Eprom Memory | Totalizer Value Will Not Be Lost
- NEMA 4X | IP65 Protection
- Bright LCD Display Flow Units | LPM | GPM | M3 | Ton
- Heavy Duty Industrial Design
- Corrosion Resistant All Plastic Wetted Parts
- Retrofits into Signet® Type Fitting

Applications

- Chemical Processes
- Water Usage
- Filter | Strainer Change-Out
- Scrubber | Gas Stacks
- Sodium Hypochlorite
- Visual Flow Indication
- Totalizer - Batching Applications

Dimension (unit : mm)



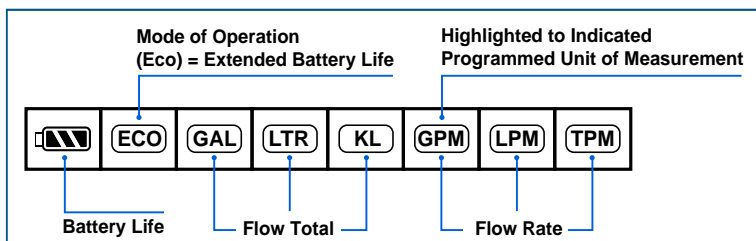
On Paddle Assembly



The TIB Battery Operated flow meters are easy to install with exceptional long life performance. Truflo TIB Series Paddle Wheel Flow Sensors are highly repeatable, rugged sensors that offer exceptional value with little or no maintenance. The TIB Series has a process-ready open collector signal with a wide dynamic flow range of 0.1 to 10 m/s (0.3 to 33 ft/s). The sensor measures liquid flow rates in full pipes and can be used in low pressure systems.

The Truflo TIB Series sensors are offered in a variety of materials for a wide range of pipe sizes and insertion configurations. The many material choices including PVC, PP and PVDF make the model highly versatile and chemically compatible to many liquid process solutions.

Sensors can be installed in $\frac{1}{2}$ - 24" pipes using Truflo's comprehensive line of custom fittings. These custom fittings, which include tees, saddles and weldolets, seat the sensor to the proper insertion depth into the process flow.



Specifications

General		
Operating Range	0.1 to 10 m/s	0.3 to 33.3 ft/s
Pipe Size Range	DN15 to DN600	½ to 24 in.
Linearity	±0.5% of max. range @ 25 °C (77 °F)	
Repeatability	±0.5% of max. range @ 25 °C (77 °F)	
Wetted Materials		
Sensor Body	PVC (Dark Gray) PP (Pigmented) PVDF (Natural)	
O-rings	FKM (std) EPDM	
Paddle	Tefzel®	
Rotor Pin Bearings	Zirconium Ceramic	
Electrical		
Battery	3V DC Replaceable	
Current Draw	10mA Max	

Max. Temperature/Pressure Rating - Standard and Integral Sensor		
PVC	180 psi @ 68 °F	12.5 bar @ 20 °C
	25 psi @ 140°F	1.7 bar @ 60 °C
PP	180 psi @ 68 °F	12.5 bar @ 20 °C
	25 psi @ 180 °F	1.7 bar @ 85 °C
PVDF	200 psi @ 68 °F	14 bar @ 20 °C
	25 psi @ 240 °F	1.7 bar @ 60 °C
Operating Temperature		
PVC	32 °F to 140 °F	0 °C to 60 °C
PP	0 °F to 195 °F	-20 °C to 90 °C
PVDF	-40 °F to 250°F	-40 °C to 120 °C
Standards and Approvals		
CE FCC		
RoHS Compliant		

See Temperature and Pressure Graphs for more information

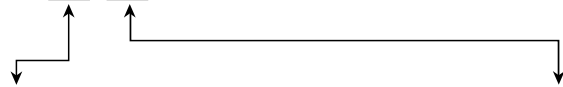
Temperature | Pressure Graphs

Note: The pressure/temperature graphs are specifically for the Truflo Flow sensors. During system design the specifications of all components must be considered.

Ordering Notes: Most common part number combinations shown. For all other combinations contact factory.

MODEL SELECTION

TIB - PF - S



Material of Inserting Tube	Seals	Length of Tube
P - PVC PP - PP PF - PVDF	FKM (Std) Suffix 'E' For EPDM	S - 1"- 4" Pipe L - 6"- 24" Pipe

