



IFC 100 Technical Datasheet

Electromagnetic Flow Converter

- Quick and easy to install and operate
- Diagnostics of application and instrument
- Extremely quick signal conversion



The more than economical solution

The IFC 100 offers a broad range of performance with an outstanding price/performance ratio.

The IFC 100 has been developed for applications requiring an economical solution for the measuring task at a high technological level.



- ① Large, illuminated graphic display with intuitive operation
- ② For AC and DC operation

Highlights

- Quick and easy to install and operate
- Large, illuminated graphic display with intuitive operation
- Multiple user languages as standard
- Maintenance-free
- Outstanding price/performance ratio
- Extremely quick signal conversion

Industries

- Agriculture
- Heating, Ventilation & Air Conditioning
- Machinery
- Power Plants
- Water
- Wastewater

Applications

- Measuring homogeneous media
- Water distribution networks and spray-irrigation systems
- Water treatment
- Environmental technology

Options and variants



Modular converter concept

Despite its somewhat different appearance, the IFC 100 has many of the same functions as its "big brother", the IFC 300. The diagnostics function, conductivity measurement and simple menu navigation, to mention just a few. This latest member of the transformer family also has a large number of fully-developed functions:

- various auxiliary power supply versions (AC, DC, AC/DC)
- HART as standard
- optional Ex version available

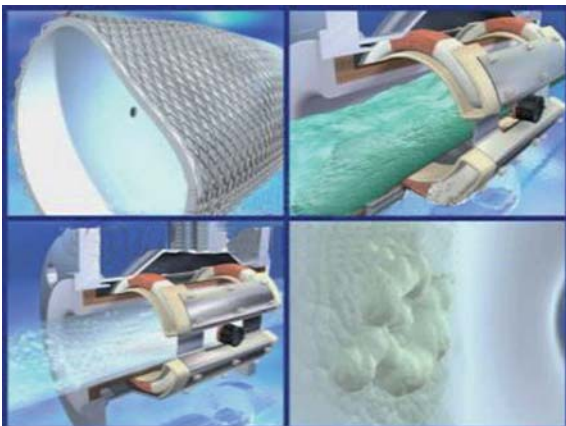
Compact design in various versions

The IFC 100 C in the 0° version is ideal for installation in vertical pipes. The 45° version, on the other hand, allows draining of liquids when it is installed in horizontal pipes. The angled design also improves the readability of the display. The backlit display provides excellent readability from long distances. The 4 softkeys enable easy operation, start-up and parametrization. Both housing versions can be rotated in 90° increments, allowing customer-specific installation positions.



Signal converter in wall version

With the IFC 100 W, remote installation is possible in the case of temperature effects, vibration or difficult-to-reach locations. A signal cable is used to connect the sensor and the converter for the purposes of power supply and signal processing. The electronics can be used in all housing versions without reparametrization.



Diagnosis

The IFC 100 has been equipped with an extensive diagnostic tool for device function and application tests.

- Conductivity measurement
- Electrode error
- Process or ambient temperature too high

Technical data

Measuring system

Measurement principle	Faraday's law of induction
Function	Continuous measurement of current volume flow, flow velocity, conductivity, mass flow (at constant density), coil temperature of the measuring sensor
Modular construction	The measurement system consists of a measuring sensor and a signal converter
Signal converter	
Compact version (C)	IFC 100 C (0° & 45° version)
Remote version (W)	IFC 100 W
Measuring sensor	
OPTIFLUX 1000	IFC 100 C & W: DN10...150 / 3/8" ...6"
OPTIFLUX 2000	IFC 100 C & W: DN25...1200 / 1" ...48"
OPTIFLUX 4000	IFC 100 C: DN2.5...1200 / 1/10" ...48"; IFC 100 W: DN10...1200 / 3/8" ...48";
OPTIFLUX 5000	IFC 100 C: DN2.5...250 / 1/10" ...12"; IFC 100 W: DN10...250 / 3/8" ...12"
OPTIFLUX 6000	IFC 100 C: DN2.5...150 / 1/10" ...6"; IFC 100 W: DN10...150 / 3/8" ...6"
Communication	
Outputs	Current (incl. HART®), pulse, frequency, status output and/or limit switch
Counter	2 internal counters with a max. of 8 counter places (e.g. for counting volume and/or mass units)
Verification	Integrated verification, diagnosis functions: flowmeter, empty pipe detection, stabilization
Display and user interface	
Graphic display	LC display, backlit white; size: 128x64 pixels, corresponds to 59x31 mm = 2.32"x1.22"
Display functions	2 measured value pages, 1 status page, 1 graphic page (measured values and depictions adjustable as required)
Units	Metric, British and US units selectable as required from lists for volume / mass flow and counting, flow speed, electrical conductivity, temperature
Language of display texts	English, French, German (others on request)
Operating elements	4 keys for operator control of the signal converter without opening the housing

Measuring accuracy

Maximum measuring error	$\pm 0.3\%$ of the measured value ± 1 mm/s, depending on the measuring sensor (see accuracy curves)
Repeatability	$\pm 0.1\%$

Operating conditions

Temperature	
Process temperature	See also data sheet for the measuring sensor
Ambient temperature	-40...+65°C / -40...+149°F (ambient temperature 55°C / 131°F and higher: protect electronics against self-heating, because an increase in the electronics temperature in 10°C / 50°F steps leads to a corresponding reduction of the electronics' service life by a factor of two.)
Storage temperature	-50...+70°C / -58...+158°F
Electrical conductivity	
All media except for water	Min. 5 $\mu\text{S}/\text{cm}$ (see also data sheet for the measuring transformer)
Water	Min. 20 $\mu\text{S}/\text{cm}$

Materials

Die-cast aluminium (polyurethane-coated)	Standard
---	----------

Electrical connection

Voltage	Standard: 100...230 VAC (-15% / +10%), 50/60 Hz
	Option 1: 24 VDC (-55% / +30%)
	Option 2: 24 VAC/DC (AC: -15% / +10%; DC: -25% / +30%)
Power consumption	Standard: 8 VA
	Option 1: 4 W
	Option 2: AC 8 VA; DC: 4 W
Signal cable	Only for remote versions
A: type DS 300	Max. length: 600 m / 1950 ft (depending on electrical conductivity and measuring sensor version)
Cable entries	Standard: M20 x 1.5
	Option: ½" NPT, PF ½

Outputs

Current output		
Function	Measurement of volume and mass (at constant density), HART® communication	
Settings	Without HART®	With HART®
	Q = 0%: 0...15 mA	Q = 0%: 4...15 mA
	Q = 100%: 10...21.5 mA	Q = 100%: 10...21.5 mA
	Error identification: 0...22 mA	Error identification: 3.5...22 mA
Operating data		
Active	$U_{int,nom} = 24 \text{ VDC}$ $I \leq 22 \text{ mA}$ $R_L \leq 750 \Omega$	
Passive	$U_{ext} \leq 32 \text{ VDC}$ $I \leq 22 \text{ mA}$ $U_0 \leq 2 \text{ V}$ at $I = 22 \text{ mA}$	
Pulse or frequency output		
Function	Can be set as a pulse output (e.g.- for volume or mass counting) or frequency output	
Settings	For Q = 100%: 0.01...10000 pulses per second or pulses per unit volume	
	Pulse width: setting automatic, symmetric or fixed (0.05...2000 ms)manual	
Operating data		
Passive	$U_{ext} \leq 32 \text{ VDC}$	
	$100 \text{ Hz} < f_{max} \leq 10 \text{ kHz}$: $I \leq 20 \text{ mA}$ open: $I \leq 0.1 \text{ mA}$ at $U_{ext} = 5 \text{ V}$ $I \leq 0.5 \text{ mA}$ at $U_{ext} = 24 \text{ V}$ $I \leq 0.7 \text{ mA}$ at $U_{ext} = 32 \text{ V}$ closed: $U_0 \leq 0.8 \text{ V}$ at $I = 1 \text{ mA}$ $U_0 \leq 1.5 \text{ V}$ at $I = 10 \text{ mA}$ $U_0 \leq 3.5 \text{ V}$ at $I = 100 \text{ mA}$ $f \leq 1 \text{ kHz}$: $R_L \leq 10 \text{ k}\Omega$ $f \leq 10 \text{ kHz}$: $R_L \leq 2 \text{ k}\Omega$	

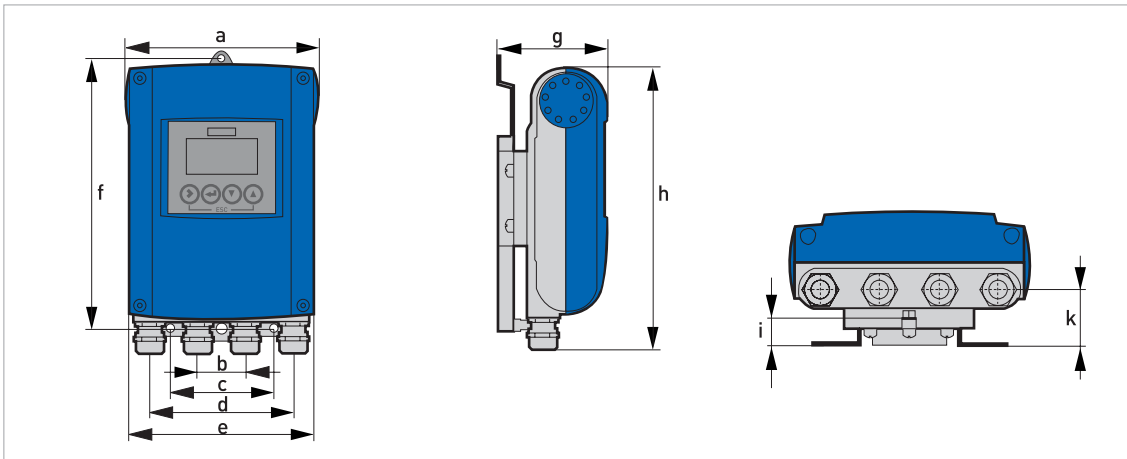
Status output / limit switch	
Function and settings	Settable as automatic measuring range change, indicator for direction of flow, overflow, error, operating point or empty pipe detection Valve control with activated dosing function Status and/or control: ON or OFF
Operating data	
Passive	$U_{ext} \leq 32 \text{ VDC}$ $I \leq 100 \text{ mA}$ open: $I \leq 0.05 \text{ mA}$ at $U_{ext} = 32 \text{ VDC}$ closed: $U_0 \leq 0.2 \text{ V}$ at $I = 10 \text{ mA}$ $U_0 \leq 2 \text{ V}$ at $I = 100 \text{ mA}$
Low-flow cutoff	
On	0...±9.999 m/s; 0...20.0%, settable in 0.1% steps, separately for each current and pulse output
Off	0...±9.999 m/s; 0...19.0%, settable in 0.1% steps, separately for each current and pulse output
Time constant	
Function	Can be set together for all flow indicators and outputs, or separately for: current, pulse and frequency output, and for limit switches and the 2 internal counters
Time setting	0...100 seconds, settable in 0.1 second steps

Approvals

Hazardous areas	
Non-Ex	Standard
EEx - Zone 1/2	In preparation
SAA version Ex Zone 1/2	In preparation
TIIS - Zone 1/2	In preparation
Protection category to IEC 529 / EN 60529	
All versions	IP 66 / 67 (corresponds to NEMA 4X/6)

Dimensions and weights

Wall-mounted version



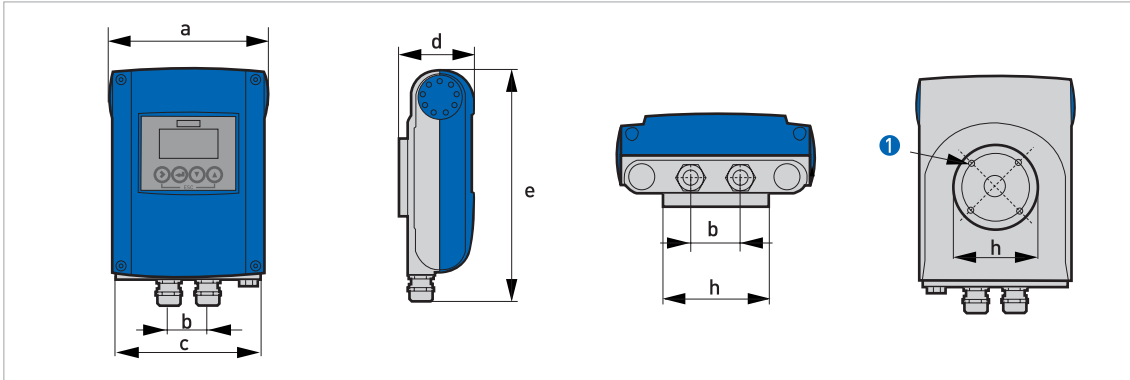
Dimensions and weight in mm and kg

	Dimensions [mm]										Weight [kg]
	a	b	c	d	e	f	g	h	i	k	
Wall-mounted version	161	40	87.2	120	155	241	95.2	257	19.3	39.7	Std: 1.9 Ex: 2.4

Dimensions and weight in inches and lbs

	Dimensions [inches]										Weight [lbs]
	a	b	c	d	e	f	g	h	i	k	
Wall-mounted version	6.34	1.57	3.43	4.72	6.10	241	9.49	10.12	0.76	1.56	Std: 4.2 Ex: 5.3

Compact 0° version



1 4 x M 6

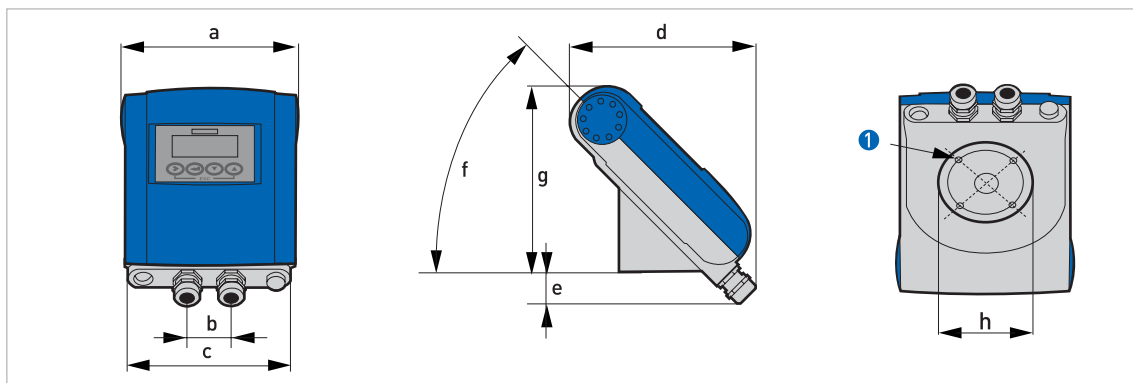
Dimensions and weight in mm and kg

	Dimensions [mm]								Weight [kg]
	a	b	c	d	e	f	g	h	
0° version	161	40	155	81.5	257	-	-	Ø72	Std: 1.9 Ex: 2.4

Dimensions and weight in inches and lbs

	Dimensions [inches]								Weight [lbs]
	a	b	c	d	e	f	g	h	
0° version	6.34	1.57	6.1	3.21	10.12	-	-	Ø2.83	Std: 4.2 Ex: 5.3

Compact 45° version



1 4 x M 6

Dimensions and weight in mm and kg

	Dimensions [mm]								Weight [kg]
	a	b	c	d	e	f	g	h	
45° version	161	40	155	184	27.4	45°	186	Ø72	Std: 2.1 Ex: 2.6

Dimensions and weight in inches and lbs

	Dimensions [inches]								Weight [lbs]
	a	b	c	d	e	f	g	h	
45° version	6.34	1.57	2.17	2.74	1.08	45°	7.32	Ø2.83	Std: 4.6 Ex: 5.7

Flow tables

Flow rate in m/s and m³/h

	Q _{100%} in m ³ /h			
v [m/s]	0.3	1	3	12
DN [mm]	Min. flow	Nominal flow		Max. flow
2.5	0.01	0.02	0.05	0.21
4	0.01	0.05	0.14	0.54
6	0.03	0.10	0.31	1.22
10	0.08	0.28	0.85	3.39
15	0.19	0.64	1.91	7.63
20	0.34	1.13	3.39	13.57
25	0.53	1.77	5.30	21.21
32	0.87	2.90	8.69	34.74
40	1.36	4.52	13.57	54.29
50	2.12	7.07	21.21	84.82
65	3.58	11.95	35.84	143.35
80	5.43	18.10	54.29	217.15
100	8.48	28.27	84.82	339.29
125	13.25	44.18	132.54	530.15
150	19.09	63.62	190.85	763.40
200	33.93	113.10	339.30	1357.20
250	53.01	176.71	530.13	2120.52
300	76.34	254.47	763.41	3053.64
350	103.91	346.36	1039.08	4156.32
400	135.72	452.39	1357.17	5428.68
450	171.77	572.51	1717.65	6870.60
500	212.06	706.86	2120.58	8482.32
600	305.37	1017.90	3053.70	12214.80
700	415.62	1385.40	4156.20	16624.80
800	542.88	1809.60	5428.80	21715.20
900	687.06	2290.20	6870.60	27482.40
1000	848.22	2827.40	8482.20	33928.80
1200	1221.45	3421.20	12214.50	48858.00

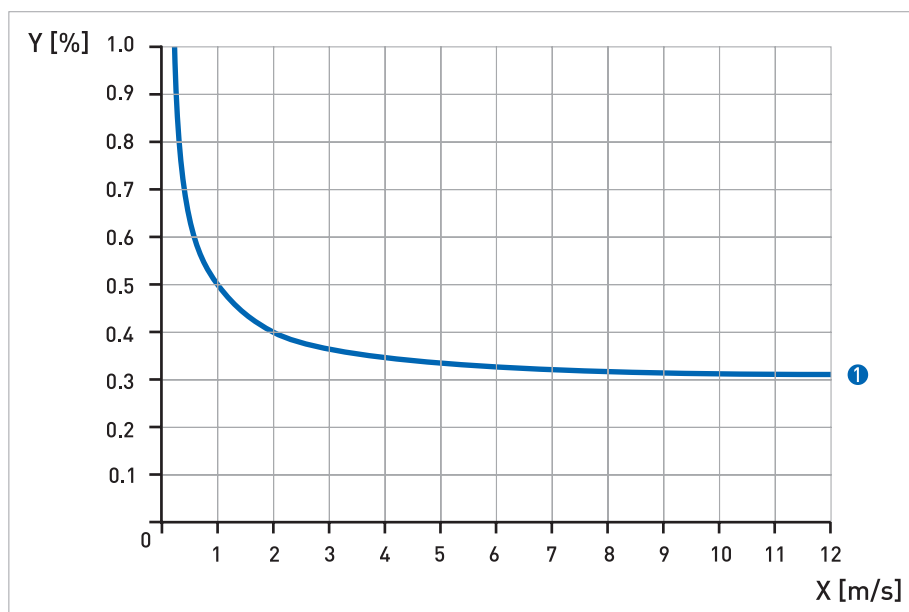
Flow rate in ft/s and gallons/min

	Q _{100 %} in .US gallons/min			
v [ft/s]	1	3.3	10	40
DN [inch]	Min. flow	Nominal flow		Max. flow
1/10	0.02	0.09	0.23	0.93
1/8	0.06	0.22	0.60	2.39
1/4	0.13	0.44	1.34	5.38
3/8	0.37	1.23	3.73	14.94
1/2	0.84	2.82	8.40	33.61
3/4	1.49	4.98	14.94	59.76
1	2.33	7.79	23.34	93.36
1.25	3.82	12.77	38.24	152.97
1.5	5.98	19.90	59.75	239.02
2	9.34	31.13	93.37	373.47
2.5	15.78	52.61	159.79	631.16
3	23.90	79.69	239.02	956.09
4	37.35	124.47	373.46	1493.84
5	58.35	194.48	583.24	2334.17
6	84.03	279.97	840.29	3361.17
8	149.39	497.92	1493.29	5975.57
10	233.41	777.96	2334.09	9336.37
12	336.12	1120.29	3361.19	13444.77
14	457.59	1525.15	4574.93	18299.73
16	597.54	1991.60	5975.44	23901.76
18	756.26	2520.61	7562.58	30250.34
20	933.86	3112.56	9336.63	37346.53
24	1344.50	4481.22	13445.04	53780.15
28	1829.92	6099.12	18299.20	73196.79
32	2390.23	7966.64	23902.29	95609.15
36	3025.03	10082.42	30250.34	121001.37
40	3734.50	12447.09	37346.00	149384.01
48	5377.88	17924.47	53778.83	215115.30

Accuracy

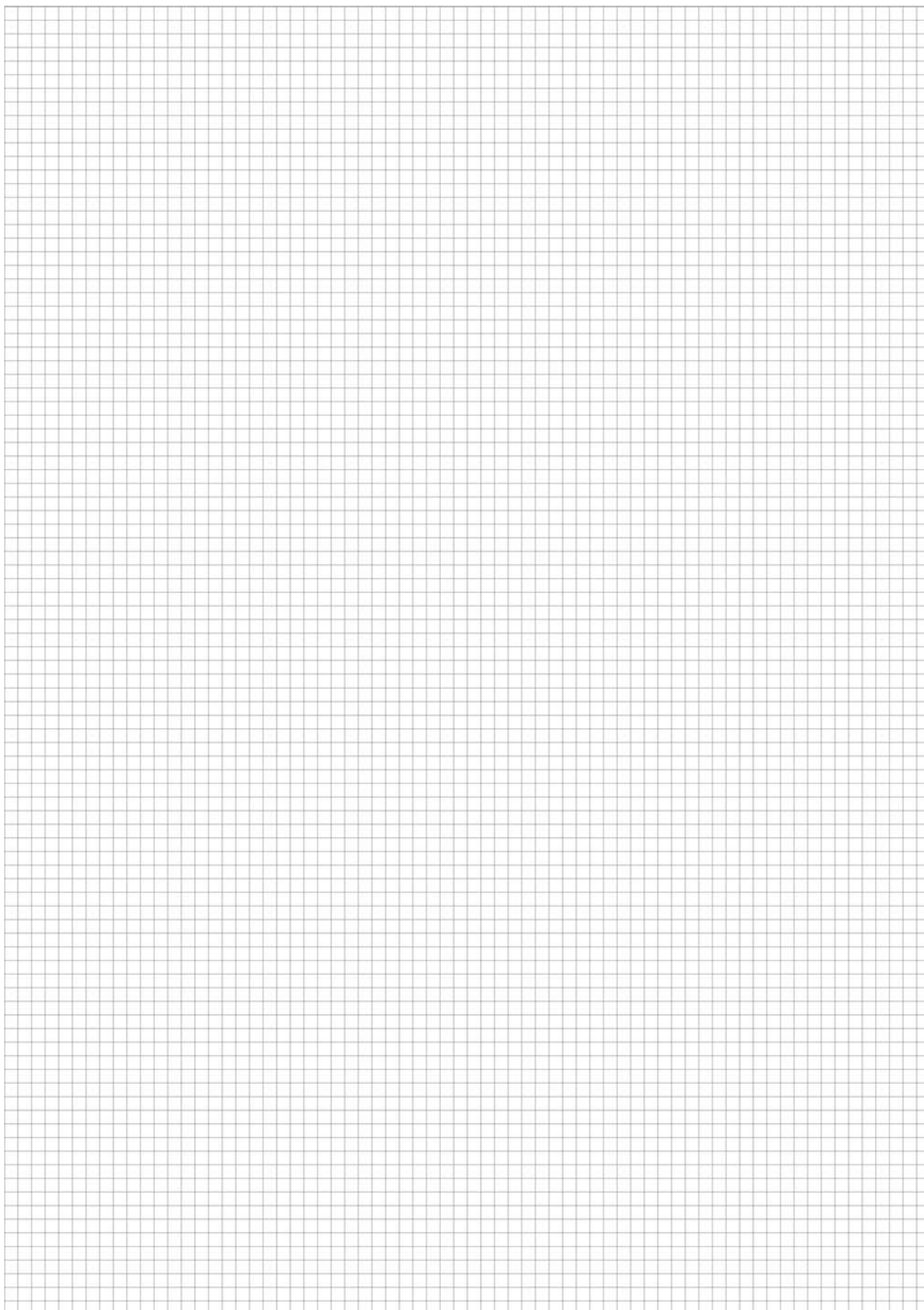
Reference conditions

- Medium: water
- Temperature: 20°C / 68°F
- Pressure: 1 bar / 14.5 psi
- Inlet run: ≥ 5 DN



- X [m/s]: flow velocity
- Y [%]: deviation from the actual measured value (mv)

	DN [mm]	DN [inch]	Accuracy	Curve
OPTIFLUX 2100 / 4100 / 5100 / 6100	10...1200	3/8...48	0.3% of mv +1 mm/s	①
OPTIFLUX 1100	10...150	3/8...6	0.4% of mv +1 mm/s	as ① + 0.1%
OPTIFLUX 4100 / 5100 / 6100	2.5...6	1/10...1/4		



KROHNE Product Overview

- Electromagnetic flowmeters
- Variable area flowmeters
- Mass flowmeters
- Ultrasonic flowmeters
- Vortex flowmeters
- Flow controllers
- Level measuring instruments
- Pressure gauges
- Temperature measuring instruments
- Water solutions & analysis
- Oil and gas turnkey solutions

Addresses:

Germany

Northern sales office

KROHNE Messtechnik GmbH & Co. KG
Bremer Str. 133
D-21073 Hamburg
Phone: +49 (0)40 767 3340
Fax: +49 (0)40 767 33412
nord@krohne.de
ZIP code: 10000 - 29999, 49000 - 49999

Western and middle sales office

KROHNE Messtechnik GmbH & Co. KG
Ludwig-Krohne-Straße
D-47058 Duisburg
Phone: +49 (0)203 301 416
Fax: +49 (0)203 301 10416
west@krohne.de
ZIP code: 30000 - 34999, 37000 - 48000, 50000 - 53999, 57000 - 59999, 98000 - 99999

Southern sales office

KROHNE Messtechnik GmbH & Co. KG
Landsberger Str. 392
D-81241 Munich
Phone: +49 (0)89 121 5620
Fax: +49 (0)89 129 6190
sued@krohne.de
ZIP code: 0 - 9999, 80000 - 89999, 90000 - 97999

Southwestern sales office

KROHNE Messtechnik GmbH & Co. KG
Rüdesheimer Str. 40
D-65239 Hochheim/Main
Phone: +49(0)6146) 827 30
Fax: +49 (0)6146 827 312
rhein-main@krohne.de
ZIP code: 35000 - 36999, 54000 - 56999, 60000 - 79999

Instrumentation and control equipment catalog

TABLAR Messtechnik GmbH
Ludwig-Krohne-Straße 5
D-47058 Duisburg
Phone: +49 (0)2 03 305 880
Fax: +49 (0)2 03 305 888
kontakt@tablar.de www.tablar.de

KROHNE sales companies

International

Australia

KROHNE Australia Pty Ltd
Quantum Business Park 10/287
Victoria Rd Rydalmere NSW 2116
Phone: +61 2 8846 1700
Fax: +61 2 8846 1755
krohne@krohne.com.au

Austria

KROHNE Gesellschaft m.b.H.
Modecenterstraße 14
A-1030 Vienna
Phone: +43 (0)1/203 45 32
Fax: +43 (0)1/203 45 32 99
info@krohne.at

Belgium

KROHNE Belgium N.V.
Brusselstraat 320
B-1702 Groot Bijgaarden
Phone: +32 (0)2 4 66 00 10
Fax: +32 (0)2 4 66 08 00
krohne@krohne.be

Brazil

KROHNE Conaut Controles
Automaticos Ltda.
Estrada Das Águas Espraiadas, 230
C.P. 56 06835 - 080 EMBU - SP
Phone: +55 (0)11-4785-2700
Fax: +55 (0)11 4785-2768
conaut@conaut.com.br

China

KROHNE Measurement Instruments
(Shanghai) Co. Ltd., (KMIC)
Room 1501
1033 Zhaojiajiang Road
Shanghai 200030
Phone: +86 21 6487 9611
Fax: +86 21 6438 7110
info@krohne-asia.com

Czech Republic

Krohne CZ, spol. s r.o.
Soběsická 156
63800 Brno
Phone: +420 (0)545.242 627
Fax: +420 (0)545 220 093
brno@krohne.cz

France

KROHNE S.A.S.
Les Ors BP 98
F-26103 ROMANS Cedex
Phone: +33 (0)4 75 05 44 00
Fax: +33 (0)4 75 05 00 48
info@krohne.fr

Great Britain

KROHNE Ltd.
Rutherford Drive
Park Farm Industrial Estate
Wellingborough
Northants NN8 6AE
Phone: +44 (0)19 33 408 500
Fax: +44 (0)19 33 408 501
info@krohne.co.uk

CIS

Kanex KROHNE Engineering AG
Business-Centre Planeta
Office 404 ul.
Marxistskaja 3
109147 Moscow/Russia
Phone: +7 (0)095 911 7165
Fax: +7 (0)095 742 8873
krohne@dol.ru

India

Krohne Marshall Ltd.
A-34/35, M.I.D.C. Industrial Area,
H-Block
Pimpri Poona 411018
Phone: +91 (0)202 744 2020
Fax: +91 (0)202 744 2020
pcu@vsnl.net

Iran

KROHNE Liaison Office
North Sohrvardi Ave. 26,
Sarmad St., Apt. #9
Tehran 15539
Phone: +9821 8874 5973
Fax: +9821 8850 1268
krohne@krohneiran.com

Italy

KROHNE Italia Srl.
Via V. Monti 75
I-20145 Milan
Phone: +39 02 4300 661
Fax: +39 02 4300 666
info@krohne.it

Korea

KROHNE Korea
Room 508 Miwon Bldg 43
Yoido-Dong Youngdeungpo-Ku
Seoul, Korea
Phone: 00-82-2-782-1900
Fax: 00-82-2-780-1749
mail@krohne.co.kr

Netherlands

KROHNE Nederland B.V.
Kerkeplaat 14
NL-3313 LC Dordrecht
Phone: +31 (0)78 630 6200
Fax: +31 (0)78 630 6405
Service Direct: +31 (0)78 630 6222
info@krohne.nl

Norway

KROHNE Norway A.S.
Ekholtveien 114
NO-1521 Moss
Phone: +47 (0)69 264 860
Fax: +47 (0)69 267 333
postmaster@krohne.no

Poland

KROHNE Polska Sp.z.o.o.
ul. Stary Rynek Oliwski 8a
80-324 Gdansk
Phone: +48 (0)58 520 9211
Fax: +48 (0)58 520 9212
info@krohne.pl

Switzerland

KROHNE AG
Uferstr. 90
CH-4019 Basel
Phone: +41 (0)61 638 30 30
Fax: +41 (0)61 638 30 40
info@krohne.ch

Singapore

Tokyo Keiso - KROHNE (Singapore)
Pte. Ltd.
14, International Business Park,
Jurong East
Chiyoda Building, #01-01/02
Singapore 609922
Phone: (65) 6567 4548
Fax: (65) 6567 9874
tks@tokyokeiso-krohne.com.sg

Republic of South Africa

KROHNE Pty. Ltd.
Bushbock Close
Corporate Park South
Midrand, Gauteng
P.O. Box 2069
Midrand, 1685
Tel.: +27 (0)11 314 1391
Fax: +27 (0)11 314 1681
midrand@krohne.co.za

Spain

I.L. KROHNE IBERIA, S.r.L.
Poligono Industrial Nilo
Calle Brasil, nº. 5
28806 Alcalá de Henares Madrid
Phone: +34 (0)91 883 2152
Fax: +34 (0)91 883 4854
krohne@krohne.es

USA

KROHNE, Inc.
7 Dearborn Road
Peabody, MA 01960
Phone: +1 (800) FLOWING
Phone: +1 (978) 535 6060 (in MA)
info@krohne.com

Representatives

Algeria
Argentina
Cameron
Canada
Chile
Columbia
Croatia
Denmark
Ecuador
Egypt
Finland
Gabon
Ghana
Greece
Hong Kong
Hungary
Indonesia
Iran
Ireland
Israel
Ivory Coast
Japan
Jordan
Kuwait
Libya
Lithuania
Malaysia
Mauritius
Mexico
Morocco
New Zealand
Peru
Portugal
Romania
Saudi Arabia
Senegal
Slovakia
Slovenia
Sweden
Taiwan
Thailand
Tunisia
Turkey
Venezuela
Yugoslavia

Other countries

KROHNE Messtechnik GmbH & Co. KG
Ludwig-Krohne-Str. 5
D-47058 Duisburg
Phone: +49 (0)203 301 0
Fax: +49 (0)203 301 389
export@krohne.de