

# LD SERIES

## Plastic Leak Detection Sensor

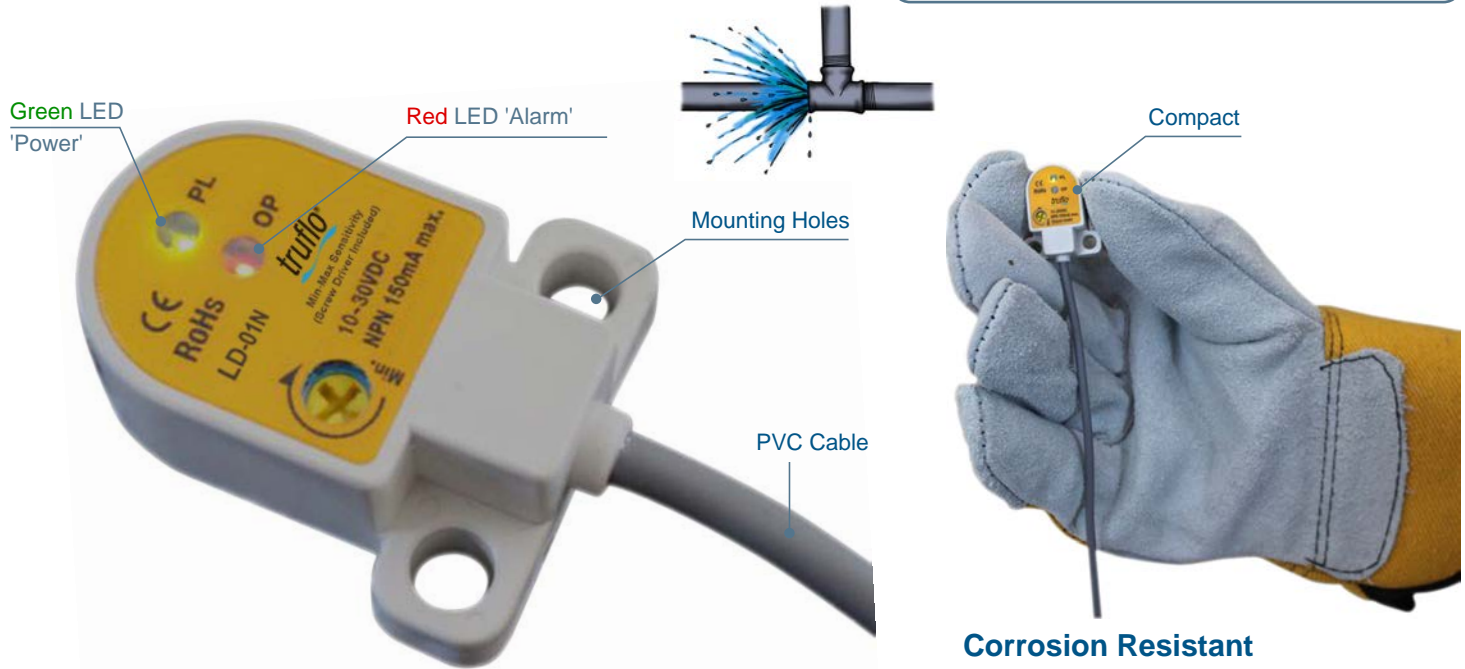


- Floor Design
- Capacitive Fail-Safe Operation
- Perfect for Aggressive and Electrically Conductive Corrosive Chemicals

PVC

PP

**SERIES : LD**



### TECHNICAL FEATURES

SPECIFICATION	DESCRIPTION
Power Consumption	Approx 3W
Ambient Temperature	-20 - 60°C   -20 - 140°F
Outputs	<ul style="list-style-type: none"> <li>• Switch : NPN   PNP maximum 150mA</li> <li>• Switch [+AO   -AO]</li> </ul>

### APPLICATIONS

- ▶ Containment Dikes
- ▶ Double Wall Tanks
- ▶ Leakage Basins | Containers
- ▶ Computer Rooms
- ▶ Leaking Pumps

### CODE NUMBERS AND REFERENCES

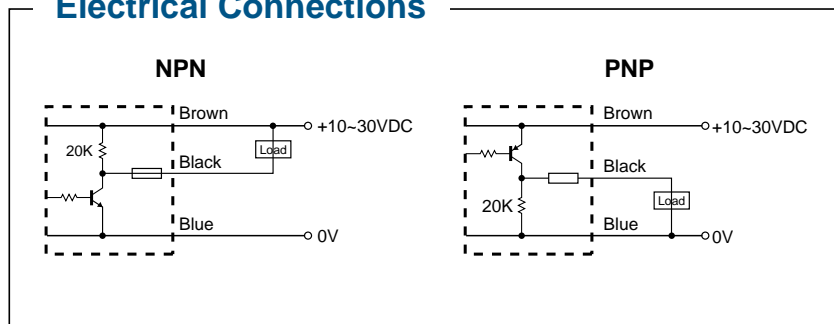
Code	Description
LD-01N	Compact Leak Detector with 2m of Cable

### PRINCIPLE

The LD Series is designed to detect conductive liquids providing a SSR relay Pulse Alarm.

- ▶ NPN or PNP Pulse Relay Output

### Electrical Connections



### Dimensions

