

FLOW PULSE

Technical Specifications:

Flow Pulse is a unique, non-invasive flow sensor that clamps to the outside of a pipe and is simply secured with a screwdriver. Flow Pulse offers you exceptional repeatability at a fraction of the cost of an equivalent mag flow meter. It can reliably monitor flow across a variety of pipe materials including rigid plastic, stainless steel, cast iron, and even corrugated pipes.



PHYSICAL

Sensor Body Dimensions:	120 mm x 65 mm x 65 mm (4.75 in x 2.6 in x 2.6 in)
Weight:	Nominal 1.5 kg (3.3 lb)
Enclosure Material/Description:	Type 316 stainless steel casting
Cable Entry Detail:	1 cable entry M20 x 1.5 mm (0.06 in) gland
Maximum Separation:	Up to 500 m (1,640 ft)

ENVIRONMENTAL

IP Rating:	IP68 (Optional versions of the sensor can be supplied, fitted with factory potted cable)
Max. & Min. Temperature (Electronics):	-20 °C to +70 °C (-4 °F to +158 °F)
CE Approval:	Listed in the Certificate of Conformity within the manual

PERFORMANCE

Accuracy/Repeatability:	±5% typical subject to installation and pipe conditions
Resolution:	3 mm/s (0.12 in/s)
Velocity Range:	<ul style="list-style-type: none"> • 0.3 m/s to 4.0 m/s (0.98 ft/s to 13.12 ft/s) <i>standard version</i> (or) • 0.3 m/s to 10 m/s (0.98 ft/s to 32.81 ft/s) <i>high flow version</i>
Response Time:	Fully adjustable (1 second minimum)
Minimum Particle Size:	>100 µm
Minimum Particle Concentration:	>200 ppm
Pipe Diameter:	<ul style="list-style-type: none"> • V1: 30 mm to 350 mm (1.2 in to 14 in) (or) • V2: 30 mm to 1250 mm (1.2 in to 49.2 in) (or) • V3: up to 2,000 mm (78.74 in)
Pipe Wall Thickness:	Metal or rigid pipe up to 20 mm (0.8 in) thick
Signal Processing:	RSSA (Refracted Spread Spectrum Analysis)

OUTPUTS

Analog Output:	4-20mA into a 1 kΩ load (when supply voltage is 22 V DC or greater) with 20 µA resolution and user programmable span.
Digital Output:	Full Duplex RS232 to PC Software, Half Duplex RS485 to PC Software, Half Duplex RS485 with Modbus RTU
Volt Free Contacts, Number and Rating:	1 form "C" (SPDT) rated at 1 A at 24 V DC

PROGRAMMING

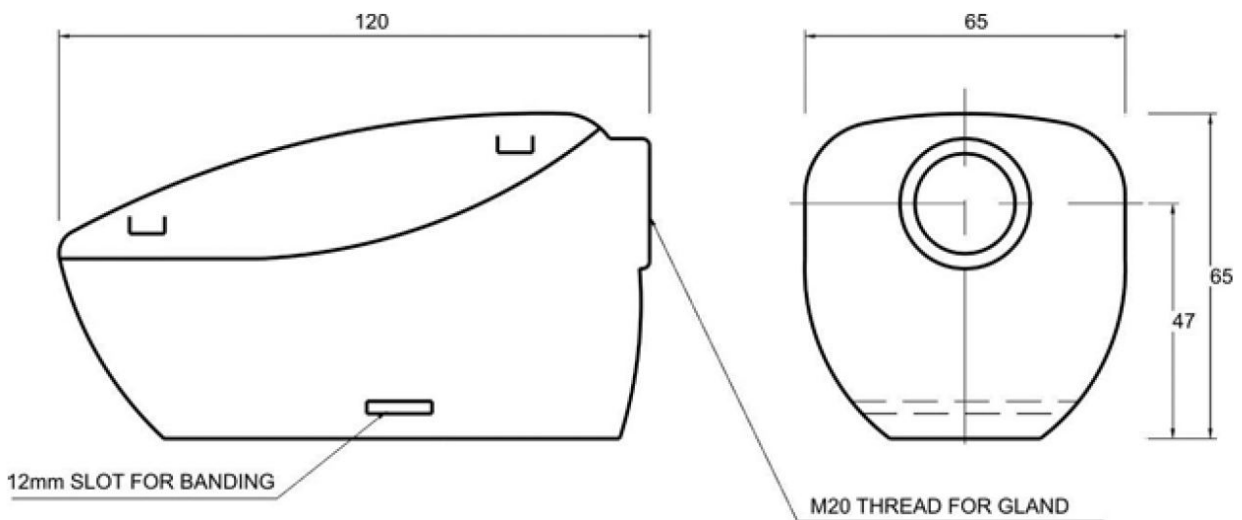
PC Programming: Via RS232 or RS485 using Flow Pulse PC

Programmed Data Integrity: Via non-volatile RAM

SUPPLY

Power Supply: 18-28 V DC

Power Consumption: 2.4 W at 24 V typical, 3 W at 24 V maximum



Flow Pulse Drawing Side and Back

Delivering the Measure of Possibility

Pulsar Measurement offers worldwide professional support for all of our products, and our network of reps and distributors all offer full support and training. Our facilities in Malvern, UK and Largo, USA are home to technical support teams who are always available to answer your call or attend your site when required. Our global presence, with direct offices in the UK, USA, Canada, and Malaysia allow us to create close relationships with our customers and provide service, support, training, and information throughout the lifetime of your product.

For more information, please visit our website:

www.pulsarmeasurement.com



INFO@PULSARMEASUREMENT.COM

Pulsar Measurement is a trading name of Pulsar Process Measurement, Ltd.

*Copyright © 2020 Pulsar Measurement
Registered Address: 1 Chamberlain Square CS, Birmingham B3 3AX
Registered No.: 3345604 England & Wales*

United States

11451 Belcher Road South
Largo, FL 33773

888-473-9546

Canada

16456 Sixsmith Drive
Long Sault, Ont. K0C 1P0

855-300-9151

United Kingdom

Cardinal Building, Enigma
Commercial Centre
Sandy's Road, Malvern WR14 1JJ

+44 (0) 1684 891371

Rev 1.0